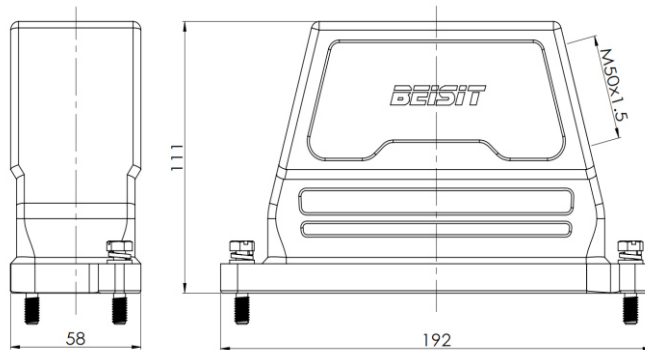


Size 24B HPR, Sleeve housing



Typecode HPR24B-SO-2B-M50
ID 1 007 11 0000115

Technical Data

Product Properties

| | |
|-------------------------|--|
| Series | Size 24B |
| Mating with | HE-024, HEE-046, HDD-064, HDD-108, HK-004/8 |
| Housing type | Sleeve housing |
| Cable outlets direction | Side entry |
| Cable outlets | M50 x 1.5 |
| Locking type | Screw |
| Protection Class | IP68 |
| Impact strength | IK08 |
| Temperature range | -40 °C ... 125 °C |
| Standard | DIN EN 175301-801 |

Insert

| | |
|------------------|----------------------------|
| Housing material | Die-casting aluminum alloy |
| Color | Black (RAL 9005) |

Commercial data

| | |
|-------------------|-------|
| Weight | 725 g |
| Packaging unit | 1 pc |
| Country of origin | CN |

Features

- Die-casting aluminum alloy
- Side entry
- Resistant to salt spray
- Approval: UL94-V0
- RoHS-compliant

*The design data are listed here, and the changes to the product are not described here. For unfinished matters, please contact customer service. It is the user's responsibility to verify functionality, compliance with applicable laws and instructions, and electrical safety in specific applications.