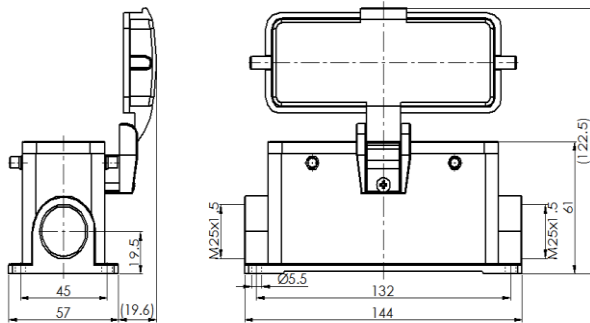


Size 24B Surface mounted housing, with thermo-plastic cover



Typecode H24B-SM-4PR-PC-2M25

ID 1 007 01 0000706

Technical Data

Product Properties

| | |
|-------------------------|--|
| Series | Size 24B |
| Mating with | HE-024, HEE-046, HD-064 HDD-108, HK-004/8 |
| Housing type | Surface mounted housing |
| Cable outlets direction | Side entry |
| Cable outlets | M25 x 1.5, 2 |
| Cover | Yes, Thermo-plastic |
| Installation mode | Panel mount |
| Protection Class | IP65 |
| Impact strength | IK08 |
| Temperature range | -40 °C ... 125 °C |
| Standard | DIN EN 175301-801 |

Insert

| | |
|------------------|---------------------|
| Housing material | Die-cast aluminum |
| Color | Gray (RAL 7037) |
| Cover | Polycarbonate, gray |
| Seal | NBR, black |

Commercial data

| | |
|-------------------|-------|
| Weight | 324 g |
| Packaging unit | 1 pc |
| Country of origin | CN |

Features

- Die casting of aluminum
- Stamping resistance thermo-plastic cover
- Side entry
- Surface fixed installation
- NBR, black
- Resistant to salt spray
- Approval: UL94-V0
- RoHS-compliant

*The design data are listed here, and the changes to the product are not described here. For unfinished matters, please contact customer service. It is the user's responsibility to verify functionality, compliance with applicable laws and instructions, and electrical safety in specific applications.