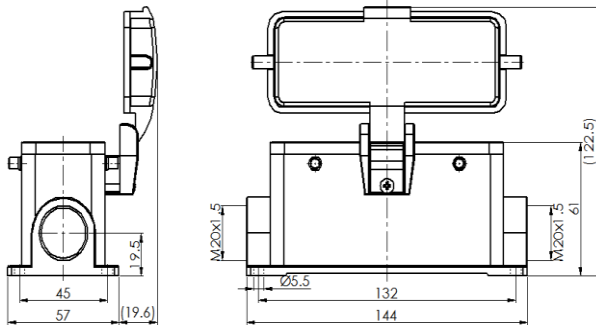


Size 24B Surface mounted housing, with thermo-plastic cover



Typecode H24B-SM-4PR-PC-2M20
ID 1 007 01 0000704

Technical Data

Product Properties

Series	Size 24B
Mating with	HE-024, HEE-046, HD-064 HDD-108, HK-004/8
Housing type	Surface mounted housing
Cable outlets direction	Side entry
Cable outlets	M20 x 1.5, 2
Cover	Yes, Thermo-plastic
Installation mode	Panel mount
Protection Class	IP65
Impact strength	IK08
Temperature range	-40 °C ... 125 °C
Standard	DIN EN 175301-801

Insert

Housing material	Die-cast aluminum
Color	Gray (RAL 7037)
Cover	Polycarbonate, gray
Seal	NBR, black

Commercial data

Weight	326 g
Packaging unit	1 pc
Country of origin	CN

Features

- Die casting of aluminum
- Stamping resistance thermo-plastic cover
- Side entry
- Surface fixed installation
- NBR, black
- Resistant to salt spray
- Approval: UL94-V0
- RoHS-compliant

*The design data are listed here, and the changes to the product are not described here. For unfinished matters, please contact customer service. It is the user's responsibility to verify functionality, compliance with applicable laws and instructions, and electrical safety in specific applications.