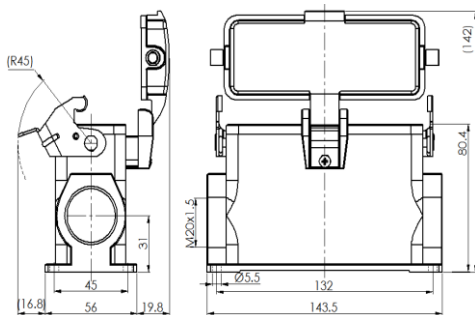


Size 24B Surface mounted housing, high type, with thermo-plastic cover



Typecode **H24B-SMH-1L-PC-M20**

ID **1 007 01 0000664**

Technical Data

Product Properties

| | |
|-------------------------|--|
| Series | Size 24B |
| Mating with | HE-024, HEE-046, HD-064 HDD-108, HK-004/8 |
| Housing type | Surface mounted housing |
| Cable outlets direction | Single-side opening |
| Cable outlets | M20 x 1.5 |
| Locking type | Single locking lever |
| Cover | Yes, Thermo-plastic |
| Installation mode | Panel mount |
| Protection Class | IP65 |
| Impact strength | IK08 |
| Temperature range | -40 °C ... 125 °C |
| Standard | DIN EN 175301-801 |

Insert

| | |
|------------------|----------------------------|
| Housing material | Die-cast aluminum |
| Color | Gray (RAL 7037) |
| Latch | Metal, surface galvanizing |
| Cover | Polycarbonate, gray |
| Seal | NBR, black |

Commercial data

| | |
|-------------------|----------|
| Weight | 0.554 kg |
| Packaging unit | 1 pc |
| Country of origin | CN |

Features

- Die casting of aluminum
- All metal buckle
- Stamping resistance thermo-plastic cover
- Single-side opening
- Surface fixed installation
- NBR, black
- Resistant to salt spray
- Approval: UL94-V0
- RoHS-compliant

*The design data are listed here, and the changes to the product are not described here. For unfinished matters, please contact customer service. It is the user's responsibility to verify functionality, compliance with applicable laws and instructions, and electrical safety in specific applications.