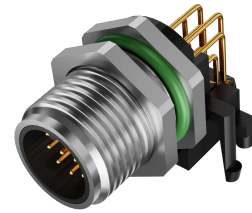
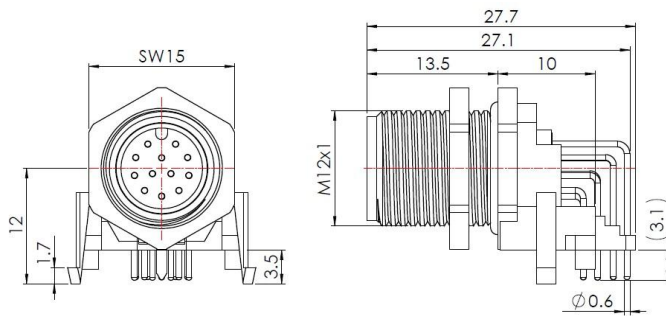


## Accessories for actuator/sensor receptacle – male with PCB 90°, rear-mounted



**Typcode** M12A12MBRB2P9001  
**ID** 1006010000490

### Technical Data\*

Connector A	
Connector	M12, Male, A-Coding
Number of Pins	12-Pin
Contacts	Brass, Gold-plated
Flange housing	Brass, Nickel-plated
Contact Carriers	PA
Seal	NBR
Protection Class	IP67, Only in screwed condition
Mechanical lifespan	≥ 100 Mating cycles
Pollution degree	III
Locking mode	M12 x 1
Connection mode	PCB 90°
Screw-in thread	M12 x 1
Standard	RoHS

Electrical properties at +20 °C	
Rated Voltage	30 V
Rated current	1.5 A
Rated impulse voltage	650 V
Contact resistance	≤ 3 mΩ
Insulation resistance	≥ 100 MΩ

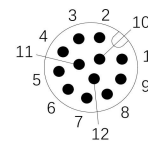
Mechanical and chemical properties	
Ambient temperature range (stationary)	-40 °C ... 85 °C

Commercial data	
Weight	g
Country of origin	CN
Packaging unit	1 pc

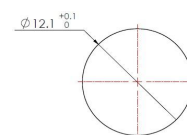
### Features

- M12, Male, 12-Pin
- Protection Class: IP67
- PCB solder contact
- RoHS-compliant

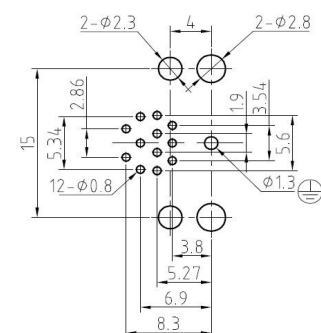
### Contact assignment



### Through bore



### PCB Layout



\* Please note that the data specified here were design data, and the parameters of product are subject to changes without prior notice. Matters not mentioned herein. Please contact customer service. Please also note that the user is responsible for validating functionality, conformity with applicable laws and directives, as well as for the electrical safety in the particular application.