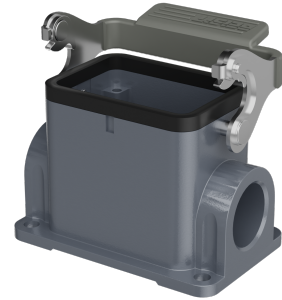
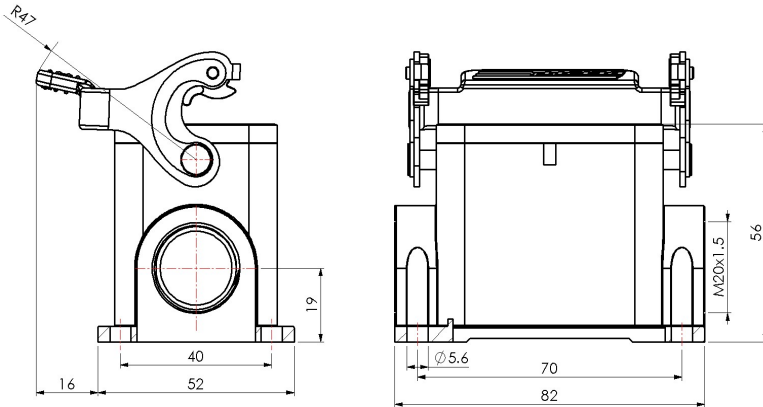


Size 6B Surface mounted hous, Stainless steel locking latch



Typecode **H6B-SM-1LS-M20**

ID **1 007 01 0000944**

Technical Data

Product Properties

| | |
|-------------------------|---------------------------------|
| Series | Size 6B |
| Mating with | HE-006, HEE-010, HDD-024 |
| Housing type | Surface mounted hous, high type |
| Cable outlets direction | Single-side opening |
| Cable outlets | M20 x 1.5 |
| Locking type | Single locking lever |
| Installation mode | Panel mount |
| Protection Class | IP65 |
| Impact strength | IK08 |
| Temperature range | -40 °C ... 125 °C |
| Standard | DIN EN 175301-801 |

Insert

| | |
|------------------|-------------------|
| Housing material | Die-cast aluminum |
| Color | Gray (RAL 7037) |
| Latch | Stainless steel |
| Seal | NBR, black |

Commercial data

| | |
|-------------------|----------|
| Weight | 0.180 kg |
| Packaging unit | 1 pc |
| Country of origin | CN |

Features

- Die casting of aluminum
- Stainless steel locking latch
- Single-side opening
- Surface fixed installation
- NBR, black
- Resistant to salt spray
- Approval: UL94-V0
- RoHS-compliant

*The design data are listed here, and the changes to the product are not described here. For unfinished matters, please contact customer service. It is the user's responsibility to verify functionality, compliance with applicable laws and instructions, and electrical safety in specific applications.