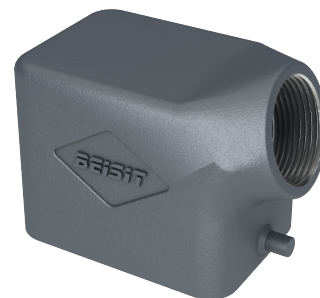
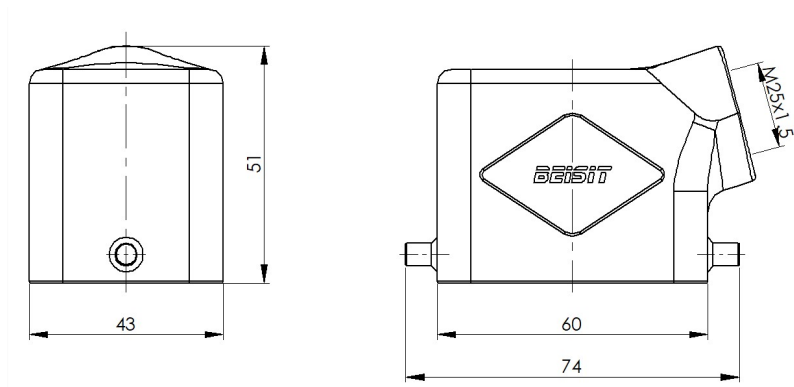


Size 6B Sleeve housing, Lateral opening hole



Typecode H6B-SO-2P-M25
ID 1 007 01 0000124

Technical Data

Product Properties

| | |
|-------------------------|--------------------------|
| Series | Size 6B |
| Mating with | HE-006, HEE-010, HDD-024 |
| Housing type | Sleeve housing |
| Cable outlets direction | Lateral opening hole |
| Cable outlets | M25 x 1.5 |
| Protection Class | IP65 |
| Impact strength | IK08 |
| Temperature range | -40 °C ... 125 °C |
| Standard | DIN EN 175301-801 |

Insert

| | |
|------------------|-------------------|
| Housing material | Die-cast aluminum |
| Color | Gray (RAL 7037) |

Commercial data

| | |
|-------------------|----------|
| Weight | 0.101 kg |
| Packaging unit | 1 pc |
| Country of origin | CN |

Features

- Die casting of aluminum
- Lateral opening hole
- Resistant to salt spray
- Approval: UL94-V0
- RoHS-compliant

*The design data are listed here, and the changes to the product are not described here. For unfinished matters, please contact customer service. It is the user's responsibility to verify functionality, compliance with applicable laws and instructions, and electrical safety in specific applications.