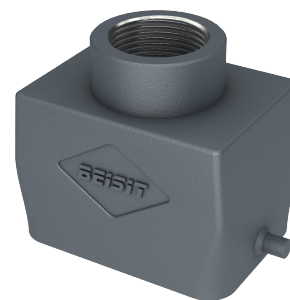
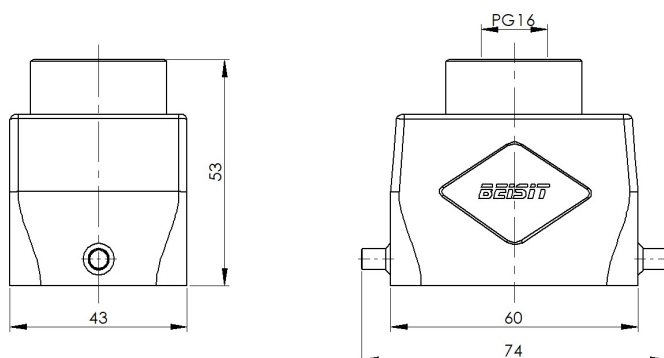


Size 6B Sleeve housing, Top opening hole



Typecode **H6B-TO-2P-PG16**

ID **1 007 01 0000136**

Technical Data

Product Properties

| | |
|-------------------------|--------------------------|
| Series | Size 6B |
| Mating with | HE-006, HEE-010, HDD-024 |
| Housing type | Sleeve housing |
| Cable outlets direction | Top opening hole |
| Cable outlets | PG16 |
| Protection Class | IP65 |
| Impact strength | IK08 |
| Temperature range | -40 °C ... 125 °C |
| Standard | DIN EN 175301-801 |

Insert

| | |
|------------------|-------------------|
| Housing material | Die-cast aluminum |
| Color | Gray (RAL 7037) |

Commercial data

| | |
|-------------------|----------|
| Weight | 0.113 kg |
| Packaging unit | 1 pc |
| Country of origin | CN |

Features

- Die casting of aluminum
- Top opening hole
- Resistant to salt spray
- Approval: UL94-V0
- RoHS-compliant

*The design data are listed here, and the changes to the product are not described here. For unfinished matters, please contact customer service. It is the user's responsibility to verify functionality, compliance with applicable laws and instructions, and electrical safety in specific applications.