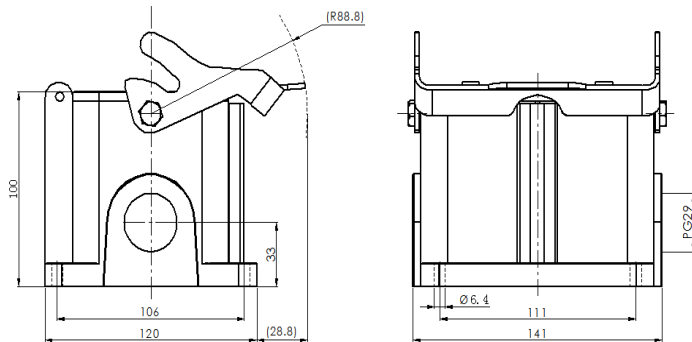


Size 48B Bulkhead mounted housing



Typecode H48B-SM-1L-PG29
ID 1 007 01 0000871

Technical Data

Product Properties

Series	Size 48B
Mating with	HE-048, HEE-092, HD-128, HDD-216
Housing type	Surface mounted hous
Cable outlets direction	Single-side opening
Cable outlets	PG29
Locking type	Double locking lever
Installation mode	Panel mount
Protection Class	IP65
Impact strength	IK04
Temperature range	-40 °C ... 125 °C
Standard	DIN EN 175301-801

Insert

Housing material	Die-cast aluminum
Color	Gray (RAL 7037)
Latch	Metal, surface galvanizing
Seal	NBR, black

Commercial data

Weight	1.269 kg
Packaging unit	1 pc
Country of origin	CN

Features

- Die casting of aluminum
- All metal buckle
- Single-side opening
- Surface fixed installation
- NBR, black
- Resistant to salt spray
- Approval: UL94-V0
- RoHS-compliant

*这里所列的是设计数据，有关产品的变更不在此做说明，未尽事宜请联系客服。用户有责任验证功能、符合适用的法律和指令以及在特定应用中的电气安全。