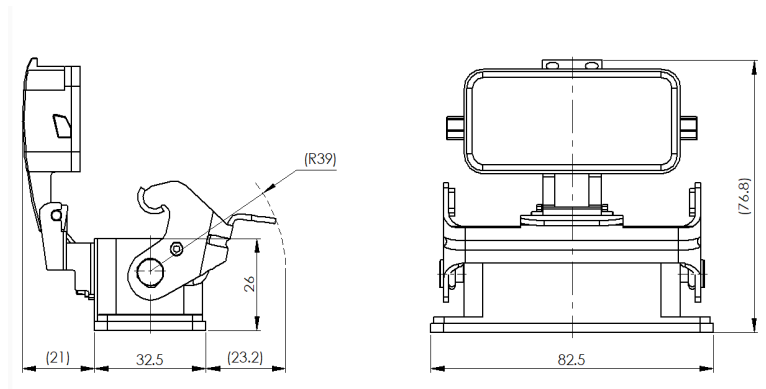


Size 10A Panel mounting base, Plastic protective cover with single locking latch



Typecode H10A-OM-1L-PCG

ID 1 007 01 0000048

Technical Data

Product Properties

Series	Size 10A
Mating with	HA-010, HD-015
Housing type	Panel mounting base
Cable outlets direction	Bottom open ends
Locking type	With single locking latch
Protective cover	Yes, plastic
Mounting type	Panel mounting
Protection Class	IP65
Impact strength	IK08
Temperature range	-40 °C ... 125 °C
Standard	DIN EN 175301-801

Insert

Housing material	Die-cast aluminum
Color	Gray (RAL 7032)
Locking latch material	Metal, Zinc-plated
Protective cover	PC, gray
Seal	NBR, black

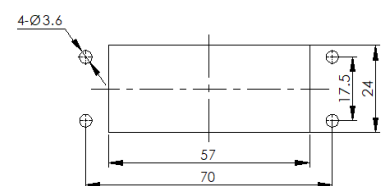
Commercial data

Weight	0.080 kg
Packaging unit	1 pc
Country of origin	CN

Features

- Die casting of aluminum
- Metal locking latch
- Impact resistant protective cover
- Bottom open ends
- Panel mounting base
- NBR, black
- Resistant to salt spray
- Approval: UL94-V0
- RoHS-compliant

Mounting cutout



*这里所列的是设计数据，有关产品的变更不在此做说明，未尽事宜请联系客服。用户有责任验证功能、符合适用的法律和指令以及在特定应用中的电气安全。