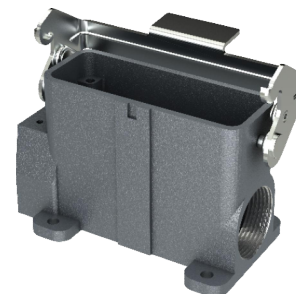
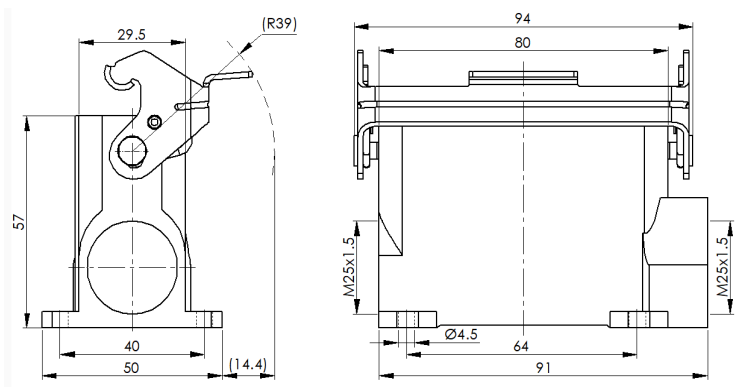


## Size 16A Surface mounted hous



Typecode H16A-SM-1L-2M25

ID 1 007 01 000070

### Technical Data

#### Product Properties

Series	Size 16A
Mating with	HA-016, HD-025
Housing type	Surface mounted hous, high type
Cable outlets direction	Side entry
Cable outlets	M25 x 1.5, 2
Locking type	Single locking lever
Installation mode	Panel mount
Protection Class	IP65
Impact strength	IK08
Temperature range	-40 °C ... 125 °C
Standard	DIN EN 175301-801

#### Insert

Housing material	Die-cast aluminum
Color	Gray (RAL 7037)
Latch	Metal, surface galvanizing

#### Commercial data

Weight	0.178 kg
Packaging unit	1 pc
Country of origin	CN

### Features

- Die casting of aluminum
- All metal buckle
- Side entry
- Surface fixed installation
- Resistant to salt spray
- Approval: UL94-V0
- RoHS-compliant

\*这里所列的是设计数据，有关产品的变更不在此做说明，未尽事宜请联系客服。用户有责任验证功能、符合适用的法律和指令以及在特定应用中的电气安全。