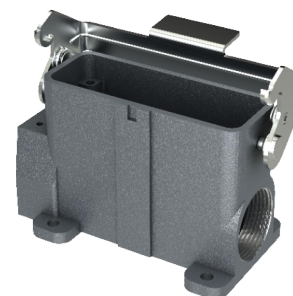
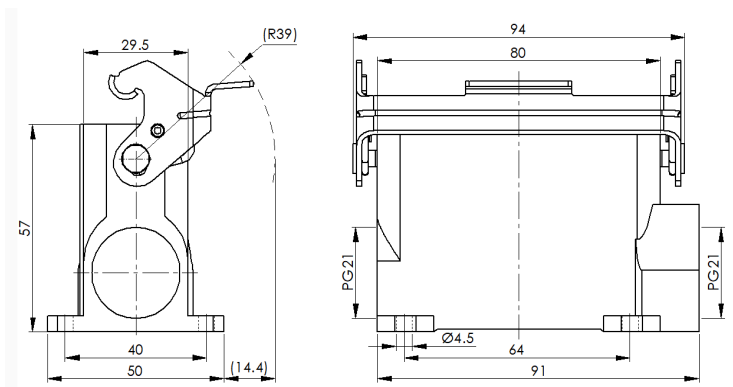


Size 16A Surface mounted hous



Typecode H16A-SM-1L-2PG21

ID 1 007 01 0000074

Technical Data

Product Properties

| | |
|-------------------------|---------------------------------|
| Series | Size 16A |
| Mating with | HA-016, HD-025 |
| Housing type | Surface mounted hous, high type |
| Cable outlets direction | Side entry |
| Cable outlets | PG21, 2 |
| Locking type | Single locking lever |
| Installation mode | Panel mount |
| Protection Class | IP65 |
| Impact strength | IK08 |
| Temperature range | -40 °C ... 125 °C |
| Standard | DIN EN 175301-801 |

Insert

| | |
|------------------|----------------------------|
| Housing material | Die-cast aluminum |
| Color | Gray (RAL 7037) |
| Latch | Metal, surface galvanizing |

Commercial data

| | |
|-------------------|----------|
| Weight | 0.176 kg |
| Packaging unit | 1 pc |
| Country of origin | CN |

Features

- Die casting of aluminum
- All metal buckle
- Side entry
- Surface fixed installation
- Resistant to salt spray
- Approval: UL94-V0
- RoHS-compliant

*这里所列的是设计数据，有关产品的变更不在此做说明，未尽事宜请联系客服。用户有责任验证功能、符合适用的法律和指令以及在特定应用中的电气安全。