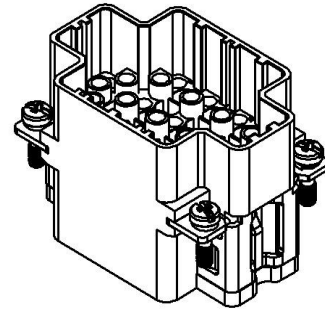
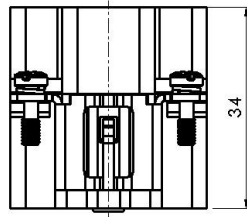
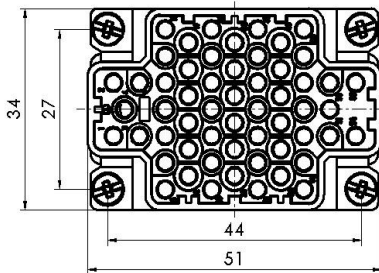


HDDD Series, Crimp Connection, 55 pin, Male insert



Typecode HDDD-055-MC
ID 1 007 03 0000149

Technical Data

Product Properties

Series	HDDD
Mating with	H6B
Connection mode	Crimp termination
Gender	Male
Rated voltage	250V
Rated current	10A
Rated impulse voltage	4kV
Mating contact	10A(DSM/DGM)
Number of pins	55
Core cross-section/Clamping ability	0.14 ~ 2.5 mm ² /AWG26 ~ AWG14
Grounding conductor	Yes
Pollution degree	3
Insulation resistance	≥10 ¹⁰ Ω
Limiting temperature	-40°C~+125°C
Standard	EN 60664-1 IEC 61984

Insert

Material	PC
Colour	RAL 7032

Commercial data

Weight	0.037 kg
Packaging unit	1 pc
Country of origin	CN

Features

- High quality engineering plastics
- Crimp termination
- ≥500 Mating cycles
- Approval: CE
- RoHS-compliant

*这里所列的是设计数据，有关产品的变更不在此做说明，未尽事宜请联系客服。用户有责任验证功能、符合适用的法律和指令以及在特定应用中的电气安全。