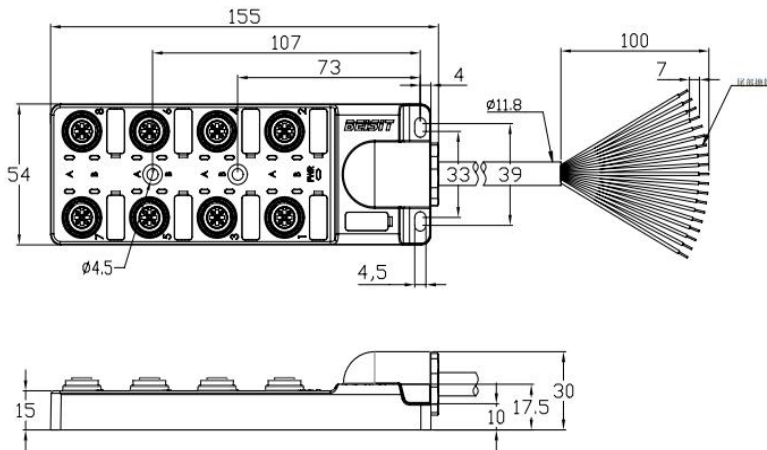


# Junction box, M12×1, With homerun cable, 8Port BJB-8M12-5P3-V020-00



Typecode **BJB-8M12-5P3-V020-00**  
ID **1006100000001**



## Technical Data

Connector	
Distributed I/O	8-port, with integral homerun cable
Housing	Nylon, black
Display operating voltage	LED, green
Display switching state	LED, yellow
Switching function	PNP
I/O port	M12 x 1
Number of Pins	5-pin (4+PE)
Contacts	Brass, Gold-plated
Contact carriers	Nylon, yellow
Seal	FKM
Mechanical lifespan	≥ 100 Mating cycles
Pollution degree	3
Protection Class	IP67, Only in screwed condition
Locking mode	Screw
Standard	IEC 61076-2

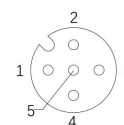
Cable	
Cable diameter	Ø 11.8 mm ±0.40 mm
Cable length *	2 m
Cable jacket	PVC, black
Core insulation	PVC
Shielding	No
Core cross-section	16 x 0.34 mm <sup>2</sup>
Cable conductor cross-section	3 x 1.0 mm <sup>2</sup>
Core colors (signal)	WH, GN, TE, GY, PK, RD, BK, VT, GY/P, RD/BU, WH/GN BN/GN, WH/YE, YE/BN, WH/GY, GY/BN
Core colors (power)	BN, BU, GN/YE

## Features

- I/O port(number of pins):5-pin(4+PE)
- Housing material: Nylon
- Housing color: black
- Resistant to salt spray
- Protection class IP67
- LED (PNP circuit)
- Approval: CE
- RoHS-compliant

## Contact assignment

I/O Connector



## Technical Data

### Electrical properties

Rated voltage	24 VDC
Current	2 A per signal contact, total current 9 A
Insulation resistance	$\geq 10^8 \Omega$
Contact resistance (signal)	0.34 mm <sup>2</sup> : 55.4 $\Omega$ /km
Contact resistance (power)	1.0 mm <sup>2</sup> : 21.8 $\Omega$ /km

### Mechanical and chemical properties

Bending radius (stationary installation)	$\geq 5 \times \text{OD}$
Bending radius (flexible use)	$\geq 15 \times \text{OD}$
Bending cycles	$\geq 1$ million

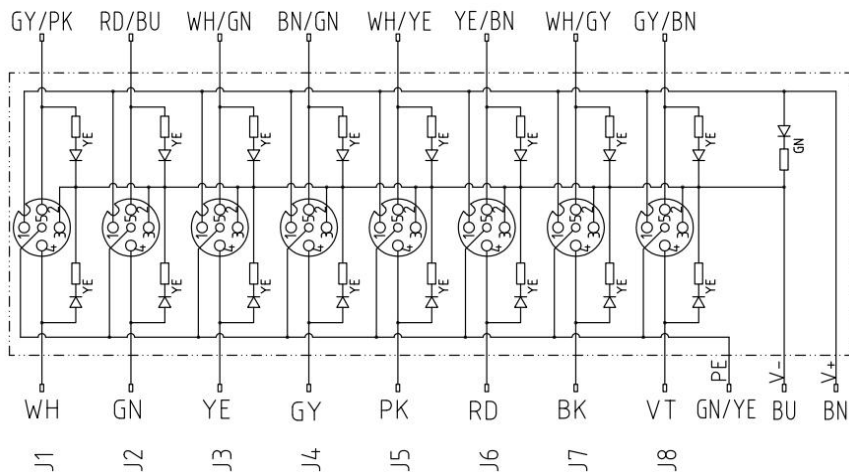
### Operating temperature

Ambient temperature range (stationary) -25 °C...+85 °C

### Commercial data

Weight	628 g
Packaging unit	1 pc
Country of origin	CN

### Circuit Diagram



### Wiring

Port/Pin	J1/2	J1/4	J2/2	J2/4	J3/2	J3/4	J4/2	J4/4
Wire	GY/PK	WH	RD/BU	GN	WH/GN	YE	BN/GN	GY

Port/Pin	J5/2	J5/4	J6/2	J6/4	J7/2	J7/4	J8/2	J8/4
Wire	WH/YE	PK	YE/BN	RD	WH/GY	BK	GY/BN	VT

Power J1-J8	24V	0V	PE
Wire	BN	BU	GN/VE

**Scope of delivery**

Device	Quantity	Description
Junction box: BJB-8M12-5P3-V020-00	1	Junction box ,M12×1, 8Port, PNP
CC-M12F-P50	8	Closure caps for M12 female connectors
JBL-P100	9	Labels

**Accessories**

ID	Designation	Description
1006050000270	M12A05CZF2ZCZM1V020N00	Extention Cable, M12 female-male, straight, 5-pin, 2m <sup>*</sup> , PVC
1006060000001	CC-M12F-P50	Closure caps for M12 female connectors (50 pcs /bag)
1006060000002	JBL-P100	Labels (100 pcs /bag)

\* Other lengths available on request