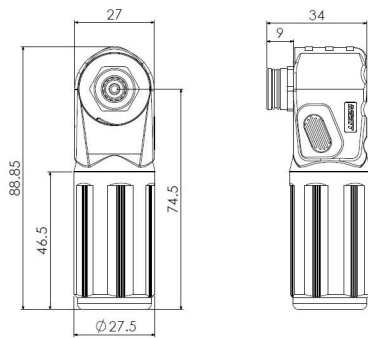


250A High current plug (Hexagonal interface) (Orange)



Typecode **PW08HO7PC03**
ID **1010010000010**

Technical Data*

Connector	
Contacts	Copper alloy silver-plated
Housing	PA66+GF,Orange
Sealing	SR
Flame retardant grade	UL94 V-0
Protection class	IP67(inserted together)
Connection mode	Crimping
Working temperature	-40 °C ~ +125°C

Electrical performance	
Rated voltage	1500 V/DC
Rated current	250 A MAX
Withstand voltage	DC 6800 V
Temperature rise	≤45 K
Insulation resistance	10000 MΩ(Room temperature)
Pollution degree	II

Mechanical and chemical properties	
Insertion force	≤75 N
Extraction force	≤10 N
Mechanical lifespan	≥100 Mating cycles

Cable	
Cable cross-section	70 mm ²
Cable diameter	14.5 mm ~ 15.5 mm

Approval	
UL	4128
TUV	2pfg2740

Features

- 360° free rotation
- Protection against electric shock
- Anti misplug
- Push button unlocking
- RoHS-compliant

Commercial data

Weight	116 g
Packaging unit	1 pc
Country of origin	CN

* 这里所列的是设计数据，有关产品的变更不在此做说明，未尽事宜请联系客服。用户有责任验证功能、符合适用的法律和指令以及在特定应用中的电气安全。