



倍仕得电气科技(杭州)股份有限公司
BEISIT ELECTRIC TECH (HANGZHOU) CO.,LTD.

倍仕得电气科技(杭州)股份有限公司
BEISIT ELECTRIC TECH (HANGZHOU) CO.,LTD.

浙江杭州临平经济技术开发区唐梅路1号 邮编: 311100

Add.: 1, Tangmei Rd., Linping Economic-Technological
Development Area, Hangzhou, Zhejiang 311100, China

Tel: 0086-571-8936 2888 E-mail: info@beisit.com

Http: // www.beisit.cn Http: // www.beisit.com

BEISIT GMBH

Parkstraße 24,65812 Bad Soden am Taunus,Hessen,Germany

Tel:0049-152-2219-5315

E-mail: alex@beisit.com

www.beisit.eu



Connectivity Solutions for Energy Storage Industry 储能行业解决方案



微信公众号



官网

We reserve the right to make technical changes or modify the contents of this document without prior notice. All the agreed particulars shall prevail. All rights reserved.

BOE0222

HANGZHOU • CHINA

倍仕得园区鸟瞰图
Beisit factory Aeroview



企业简介
Company Profile

董事长寄语：做人，把人品做好；做企业，把产品做好。

倍仕得成立于2009年，是杭州市临平区IPO培育企业，面积23300 平方米，设有研发中心、精密模具中心、精密注塑中心、精密机加中心、检测中心等，技术人员占比25%以上；

公司专注于电缆连接器的研发、制造，为国内外客户提供安全、可靠的电缆连接器产品以及连接技术整体解决方案。获得国家高新、省级研发中心认定、浙江制造“品”字标、参与国家标准起草。拥有德国VDE认证的亚洲公司、全系列通过ATEX 防爆认证的亚洲公司、拥有美国UL认证；企业通过IATF16949、ISO/TS 22163、ISO9001、ISO14001等认证。

产品主要应用于轨道交通、风力发电、光伏太阳能、新能源汽车、工业装备、核电、安防设备、电力电气、户外照明、通讯基站、数据中心、仪器仪表、船舶港机等行业；市场覆盖中国、欧洲、北美、日本、韩国、澳洲等工业发达国家和地区。

*As a person, one shall make himself with good personality all aspects;
To run a company, one shall make product with good quality all through.*

—Mr Zeng , Chairman of the Board

Founded in 2009, Beisit is an IPO cultivation enterprise in Hangzhou, Zhejiang, China. It covers an area of 23,300 square meters and has established R&D Center, Mold Center, Injection Molding Center, Precision Machining Center, Testing Center, etc., with technical personnel accounting for more than 25%;

The company specializes in R&D and manufacture of cable connectors, in a bid to provide safe and reliable cable connector products and connection technology solutions for domestic and abroad customers. Authorized by the government as the national high-tech and provincial R&D center; Having obtained Made-in-Zhejiang "Quality" certificate and participated in the drafting of national standards; Has acquired the German VDE certification, all series of ATEX explosion-proof certification and UL certifications. The enterprise has also passed through IATF16949, ISO/TS 22163, ISO9001, ISO14001, BSCI and other certifications.

The products are mainly used in rail transit, wind power, photovoltaic industry, electric vehicles, industrial plants, nuclear power, security protection equipment, electric appliances, outdoor lighting, telecommunication system, data center, instruments and meters, vessels and port machinery, etc. The market covers China, Europe, North America, Japan, South Korea, Australia and other industrial developed countries and regions.

储能系统

包含电池簇，控制系统，变流系统，汇流柜，升压变压器等主要系统，其中控制系统由能源管理系统EMS，电池管理系统BMS和辅助系统组成（如消防系统，热管理系统，监控系统等）。

Energy storage system

Including battery cluster, control system, converter system, combiner cabinet, step-up transformer and other main systems, the control system consists of energy management system EMS, battery management system BMS and auxiliary systems (such as fire protection system, thermal management system, monitoring system, etc).



储能的应用价值

The application value of energy storage



容量价值
Capacity Value

实时功率平衡 Real-time Power Balance

电源侧：新能源出力平衡。
电网侧：电力流受端地区电网安全功率支撑，调频，应对电网安全事故。
用户侧：电能质量管理。

Power Supply Side: New energy output balance.
Power Grid Side: The power flow is supported by the safe power of the power grid in the receiving end area, frequency modulation, response security incident from power grid.
User Side: Power quality management.



功率价值
Power Value

提高系统容量系数 Improve System Capacity Factor

电源侧：改善新能源电站容量可信度。
电网侧：容量备用，阻塞管理。
用户侧：容量费管理。

Power Supply Side: Improve the reliability of new energy power station capacity.
Power Grid Side: Backup capacity, Blocking management.
User Side: Capacity cost management.



能量价值
Energy Value

能量吞吐和转移 Energy Throughput and transfer

电源侧：提高新能源消纳能力。
电网侧：削峰填谷。
用户侧：峰谷套利。

Power Supply Side: Improve new energy consumption and receiving capacity.
Power Grid Side: Load shifting.
User Side: Peak and valley arbitrage.

倍仕得储能解决方案

Energy Storage Solutions from Beisit

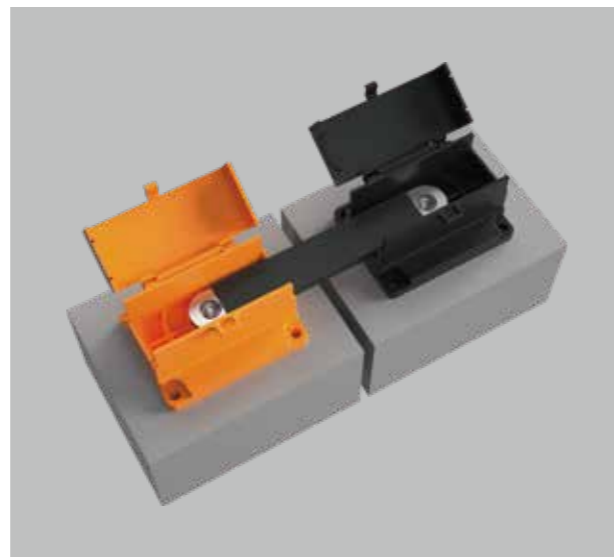


功率快插解决方案

——高防护、快速插拔、防误插、360°自由旋转的储能连接器，实现储能电池包间的快速连接。

Power Quick-Plug Solution

——High-protection, quick-plug, prevent mis-plug, 360° free-rotating energy storage connector to achieve quick connection between energy storage battery packs.



铜排连接解决方案

——操作简便、结构精巧、成本控制，可实现柜内最优化连接。

Copper Busbar Connection Solution

——Easy operating, well-structured, cost controlled, optimal connection inside the cabinet can be achieved.



信号接口解决方案

——行业标准M12、RJ45接口连接器，多规格多种类供旋转，可实现控制箱稳定的信号传输。

Signal interface connection solution

——Various specifications and types industry standard M12, RJ45 connectors for rotation, stable signal transmission on control boxes.



防水接头解决方案

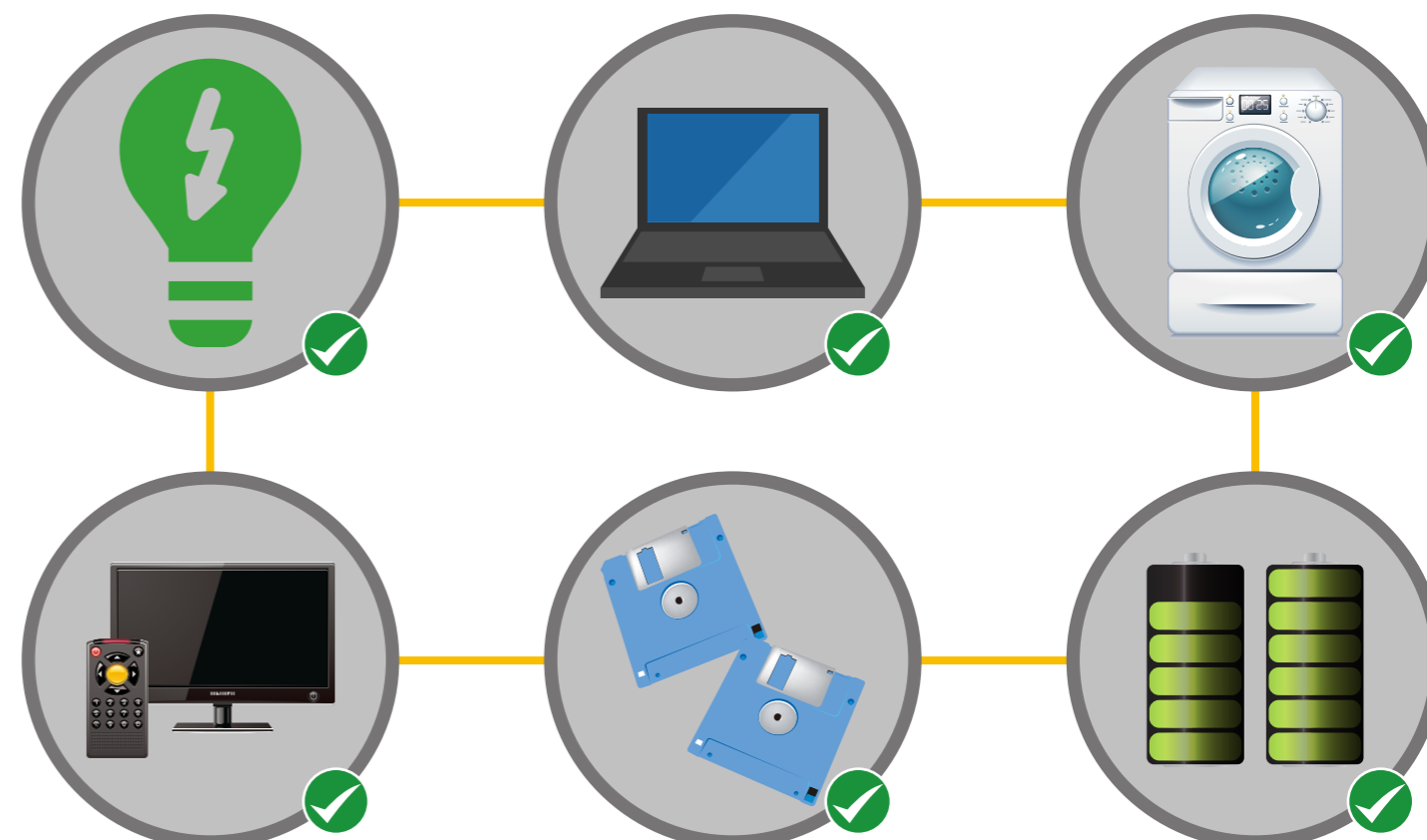
——行业领先的防水接头制造技术，适应多场合使用，安全可靠，可实现不同线径同时通过。

Cable glands solution

——With industry-leading cable glands manufacturing technology, adapt to multiple application scenarios, with safety and reliability, possible to cross different wire diameters at the same time.

户用储能解决方案

Household energy storage solution



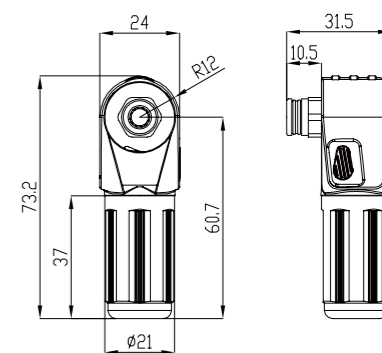


120A大电流插头(六边形接口)
120A high current plug (Hexagonal interface)

→ 4128

产品标准 Standard: UL 4128
 额定电压 Rated Voltage: 1000V
 额定电流 Rated current: 120A MAX
 防护等级 IP Rating: IP67
 密封件材料 Seal: 硅橡胶 Silicone rubber
 外壳体材料 Housing: 塑料 Plastic
 接触件材料 Contacts: 铜合金, 镀银 Brass, Silver
 接线方式 Contacts termination: 压接 Crimp
 接线规格 Cross-section: 16mm²~25mm² (8-4AWG)
 线缆外径 Cable diameter: 8mm~11.5mm

■ PROFILE



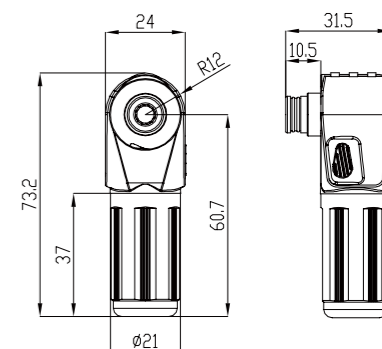
Product Model	Order No.	Cross-section	Color
PW06HR7PC01	1010010000001	25mm ² (4AWG)	Red
PW06HB7PC01	1010010000002	25mm ² (4AWG)	Black
PW06HO7PC01	1010010000003	25mm ² (4AWG)	Orange
PW06HR7PC02	1010010000019	16mm ² (8AWG)	Red
PW06HB7PC02	1010010000020	16mm ² (8AWG)	Black
PW06HO7PC02	1010010000021	16mm ² (8AWG)	Orange

120A大电流插头(圆形接口)
120A high current plug (Round interface)

→ 4128

产品标准 Standard: UL 4128
 额定电压 Rated Voltage: 1000V
 额定电流 Rated current: 120A MAX
 防护等级 IP Rating: IP67
 密封件材料 Seal: 硅橡胶 Silicone rubber
 外壳体材料 Housing: 塑料 Plastic
 接触件材料 Contacts: 铜合金, 镀银 Brass, Silver
 接线方式 Contacts termination: 压接 Crimp
 接线规格 Cross-section: 16mm²~25mm² (8-4AWG)
 线缆外径 Cable diameter: 8mm~11.5mm

■ PROFILE



Product Model	Order No.	Cross-section	Color
PW06RR7PC01	1010010000004	25mm ² (4AWG)	Red
PW06RB7PC01	1010010000005	25mm ² (4AWG)	Black
PW06RO7PC01	1010010000006	25mm ² (4AWG)	Orange
PW06RR7PC02	1010010000022	16mm ² (8AWG)	Red
PW06RB7PC02	1010010000023	16mm ² (8AWG)	Black
PW06RO7PC02	1010010000024	16mm ² (8AWG)	Orange



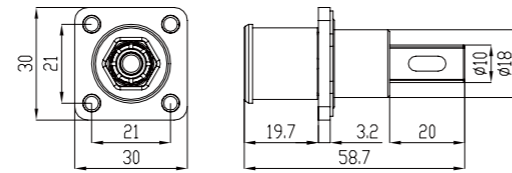
120A大电流插座(六边形接口, U型孔)
120A high current Receptacle (Hexagonal interface, Copper busbars)



→ 4128

产品标准 Standard: UL 4128
 额定电压 Rated Voltage: 1000V
 额定电流 Ratedcurrent: 120A MAX
 防护等级 IP Rating: IP67
 密封件材料 Seal: 硅橡胶 Silicone rubber
 外壳体材料 Housing: 塑料 Plastic
 接触件材料 Contacts: 铜合金, 镀银 Brass, Silver
 接线规格 Cross-section: 16mm²~25mm² (8-4AWG)
 插座法兰安装螺钉 Tighting screws for flange: M4

■ PROFILE



Product Model	Order No.	Color
PW06HR7RB01	1010020000001	Red
PW06HB7RB01	1010020000002	Black
PW06HO7RB01	1010020000003	Orange

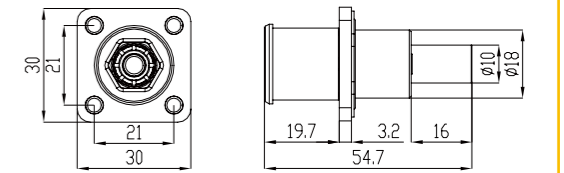
120A大电流插座(六边形接口, 压接孔)
120A high current Receptacle (Hexagonal interface, Crimp)



→ 4128

产品标准 Standard: UL 4128
 额定电压 Rated Voltage: 1000V
 额定电流 Ratedcurrent: 120A MAX
 防护等级 IP Rating: IP67
 密封件材料 Seal: 硅橡胶 Silicone rubber
 外壳体材料 Housing: 塑料 Plastic
 接触件材料 Contacts: 铜合金, 镀银 Brass, Silver
 接线规格 Cross-section: 16mm²~25mm² (8-4AWG)
 插座法兰安装螺钉 Tighting screws for flange: M4

■ PROFILE



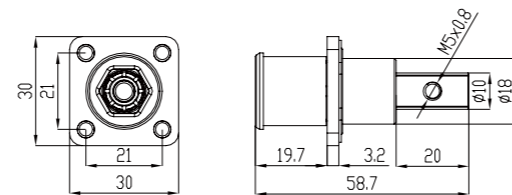
Product Model	Order No.	Color
PW06HR7RC01	1010020000007	Red
PW06HB7RC01	1010020000008	Black
PW06HO7RC01	1010020000009	Orange

120A大电流插座(六边形接口, 螺纹孔)
120A high current Receptacle (Hexagonal interface, Screw)

→ 4128

产品标准 Standard: UL 4128
 额定电压 Rated Voltage: 1000V
 额定电流 Ratedcurrent: 120A MAX
 防护等级 IP Rating: IP67
 密封件材料 Seal: 硅橡胶 Silicone rubber
 外壳体材料 Housing: 塑料 Plastic
 接触件材料 Contacts: 铜合金, 镀银 Brass, Silver
 接线规格 Cross-section: 16mm²~25mm² (8-4AWG)
 插座法兰安装螺钉 Tighting screws for flange: M4

■ PROFILE



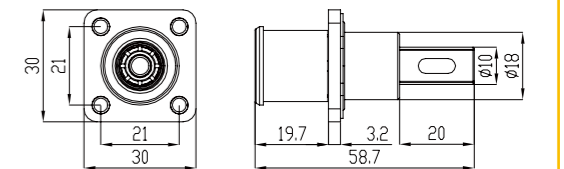
Product Model	Order No.	Color
PW06HR7RS01	1010020000004	Red
PW06HB7RS01	1010020000005	Black
PW06HO7RS01	1010020000006	Orange

120A大电流插座(圆形接口, U型孔)
120A high current Receptacle (Round interface, Copper busbars)

→ 4128

产品标准 Standard: UL 4128
 额定电压 Rated Voltage: 1000V
 额定电流 Ratedcurrent: 120A MAX
 防护等级 IP Rating: IP67
 密封件材料 Seal: 硅橡胶 Silicone rubber
 外壳体材料 Housing: 塑料 Plastic
 接触件材料 Contacts: 铜合金, 镀银 Brass, Silver
 接线规格 Cross-section: 16mm²~25mm² (8-4AWG)
 插座法兰安装螺钉 Tighting screws for flange: M4

■ PROFILE



Product Model	Order No.	Color
PW06RR7RB01	1010020000010	Red
PW06RB7RB01	1010020000011	Black
PW06RO7RB01	1010020000012	Orange



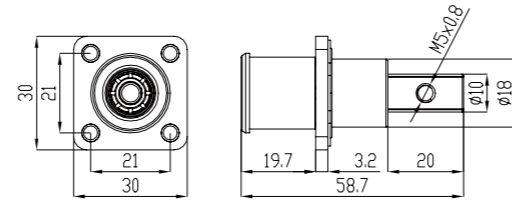
120A大电流插座(圆形接口, 螺纹孔)
120A high current Receptacle (Round interface, Screw)



→ 4128

产品标准 Standard: UL 4128
 额定电压 Rated Voltage: 1000V
 额定电流 Ratedcurrent: 120A MAX
 防护等级 IP Rating: IP67
 密封件材料 Seal: 硅橡胶 Silicone rubber
 外壳体材料 Housing: 塑料 Plastic
 接触件材料 Contacts: 铜合金, 镀银 Brass, Silver
 接线规格 Cross-section: 16mm²~25mm² (8-4AWG)
 插座法兰安装螺钉 Tighting screws for flange: M4

■ PROFILE



Product Model	Order No.	Color
PW06RR7RS01	1010020000013	Red
PW06RB7RS01	1010020000014	Black
PW06RO7RS01	1010020000015	Orange

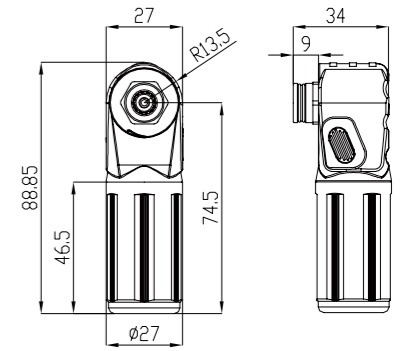
250A大电流插头(六边形接口)
250A high current plug (Hexagonal interface)



→ 4128

产品标准 Standard: UL 4128
 额定电压 Rated Voltage: 1500V
 额定电流 Ratedcurrent: 250A MAX
 防护等级 IP Rating: IP67
 密封件材料 Seal: 硅橡胶 Silicone rubber
 外壳体材料 Housing: 塑料 Plastic
 接触件材料 Contacts: 铜合金, 镀银 Brass, Silver
 接线方式 Contacts termination: 压接 Crimp
 接线规格 Cross-section: 35mm²~70mm² (4-2/0AWG)
 线缆外径 Cable diameter: 13mm~17.5mm

■ PROFILE



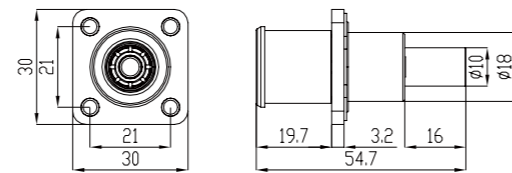
Product Model	Order No.	Color
PW08HR7PC01	1010010000007	Red
PW08HB7PC01	1010010000008	Black
PW08HO7PC01	1010010000009	Orange

120A大电流插座(圆形接口, 压接)
120A high current Receptacle (Round interface, Crimp)

→ 4128

产品标准 Standard: UL 4128
 额定电压 Rated Voltage: 1000V
 额定电流 Ratedcurrent: 120A MAX
 防护等级 IP Rating: IP67
 密封件材料 Seal: 硅橡胶 Silicone rubber
 外壳体材料 Housing: 塑料 Plastic
 接触件材料 Contacts: 铜合金, 镀银 Brass, Silver
 接线规格 Cross-section: 16mm²~25mm² (8-4AWG)
 插座法兰安装螺钉 Tighting screws for flange: M4

■ PROFILE



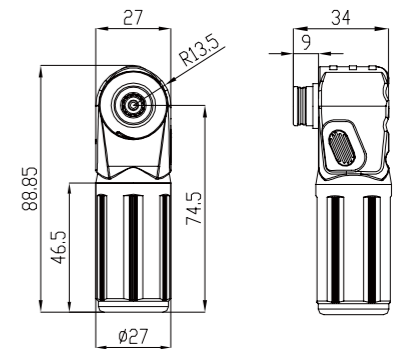
Product Model	Order No.	Color
PW06RR7RC01	1010020000016	Red
PW06RB7RC01	1010020000017	Black
PW06RO7RC01	1010020000018	Orange

250A大电流插头(圆形接口)
250A high current plug (Round interface)

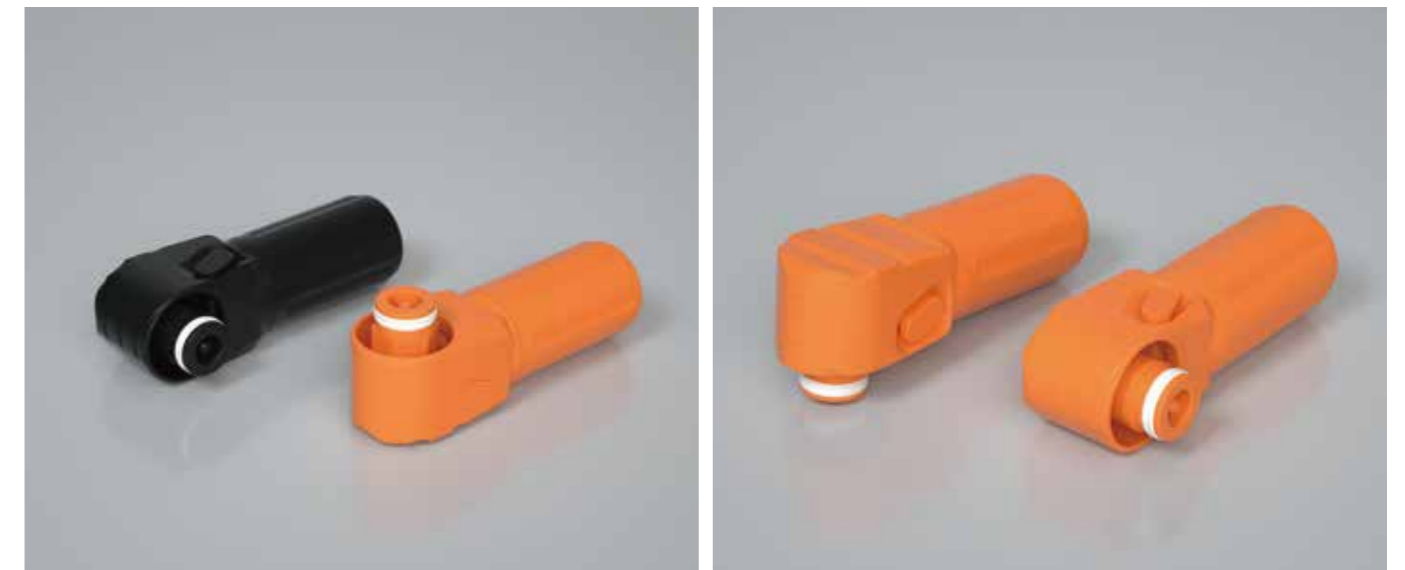
→ 4128

产品标准 Standard: UL 4128
 额定电压 Rated Voltage: 1500V
 额定电流 Ratedcurrent: 250A MAX
 防护等级 IP Rating: IP67
 密封件材料 Seal: 硅橡胶 Silicone rubber
 外壳体材料 Housing: 塑料 Plastic
 接触件材料 Contacts: 铜合金, 镀银 Brass, Silver
 接线方式 Contacts termination: 压接 Crimp
 接线规格 Cross-section: 35mm²~70mm² (4-2/0AWG)
 线缆外径 Cable diameter: 13mm~17.5mm

■ PROFILE



Product Model	Order No.	Color
PW08RR7PC01	1010010000010	Red
PW08RB7PC01	1010010000011	Black
PW08RO7PC01	1010010000012	Orange

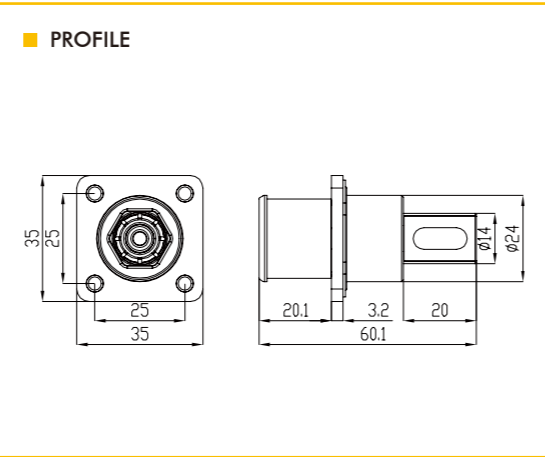


250A大电流插座(六边形接口, U型孔)
250A high current Receptacle (Hexagonal interface, Copper busbars)



→ 4128

产品标准 Standard: UL 4128
 额定电压 Rated Voltage: 1500V
 额定电流 Ratedcurrent: 250A MAX
 防护等级 IP Rating: IP67
 密封件材料 Seal: 硅橡胶 Silicone rubber
 外壳体材料 Housing: 塑料 Plastic
 接触件材料 Contacts: 铜合金, 镀银 Brass, Silver
 接线规格 Cross-section: 35mm²~70mm² (4-2/0AWG)
 插座法兰安装螺钉 Tighting screws for flange: M4



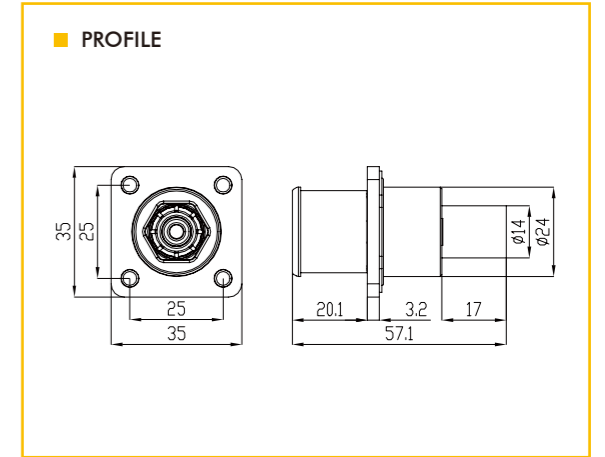
Product Model	Order No.	Color
PW08HR7RB01	1010020000019	Red
PW08HB7RB01	1010020000020	Black
PW08HO7RB01	1010020000021	Orange

250A大电流插座(六边形接口, 压接孔)
250A high current Receptacle (Hexagonal interface, Crimp)



→ 4128

产品标准 Standard: UL 4128
 额定电压 Rated Voltage: 1500V
 额定电流 Ratedcurrent: 250A MAX
 防护等级 IP Rating: IP67
 密封件材料 Seal: 硅橡胶 Silicone rubber
 外壳体材料 Housing: 塑料 Plastic
 接触件材料 Contacts: 铜合金, 镀银 Brass, Silver
 接线规格 Cross-section: 35mm²~70mm² (4-2/0AWG)
 插座法兰安装螺钉 Tighting screws for flange: M4

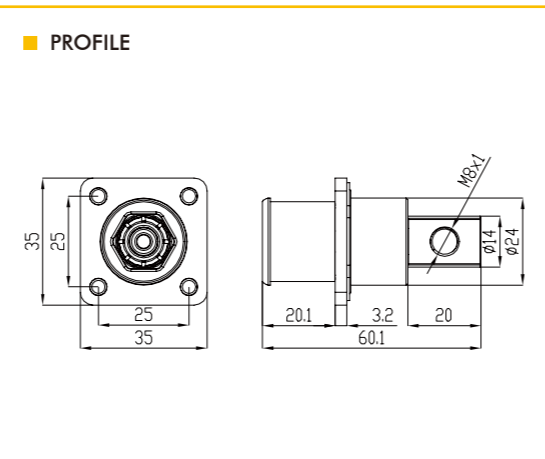


Product Model	Order No.	Color
PW08HR7RC01	1010020000025	Red
PW08HB7RC01	1010020000026	Black
PW08HO7RC01	1010020000027	Orange

250A大电流插座(六边形接口, 螺纹孔)
250A high current Receptacle (Hexagonal interface, Screw)

→ 4128

产品标准 Standard: UL 4128
 额定电压 Rated Voltage: 1500V
 额定电流 Ratedcurrent: 250A MAX
 防护等级 IP Rating: IP67
 密封件材料 Seal: 硅橡胶 Silicone rubber
 外壳体材料 Housing: 塑料 Plastic
 接触件材料 Contacts: 铜合金, 镀银 Brass, Silver
 接线规格 Cross-section: 35mm²~70mm² (4-2/0AWG)
 插座法兰安装螺钉 Tighting screws for flange: M4

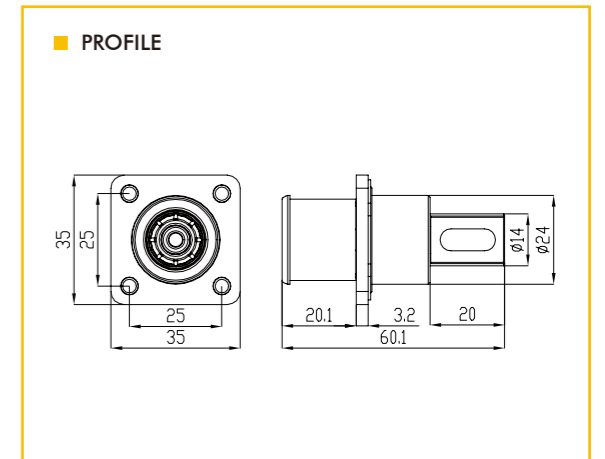


Product Model	Order No.	Color
PW08HR7RS01	1010020000022	Red
PW08HB7RS01	1010020000023	Black
PW08HO7RS01	1010020000024	Orange

250A大电流插座(圆形接口, U型孔)
250A high current Receptacle (Round interface, Copper busbars)

→ 4128

产品标准 Standard: UL 4128
 额定电压 Rated Voltage: 1500V
 额定电流 Ratedcurrent: 250A MAX
 防护等级 IP Rating: IP67
 密封件材料 Seal: 硅橡胶 Silicone rubber
 外壳体材料 Housing: 塑料 Plastic
 接触件材料 Contacts: 铜合金, 镀银 Brass, Silver
 接线规格 Cross-section: 35mm²~70mm² (4-2/0AWG)
 插座法兰安装螺钉 Tighting screws for flange: M4



Product Model	Order No.	Color
PW08RR7RB01	1010020000028	Red
PW08RB7RB01	1010020000029	Black
PW08RO7RB01	1010020000030	Orange

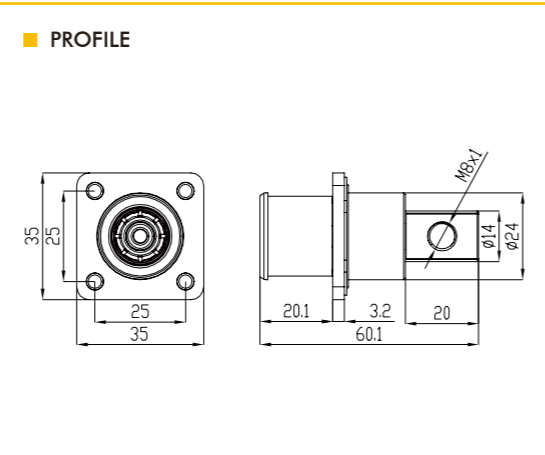


250A大电流插座(圆形接口, 螺纹孔)
250A high current Receptacle (Round interface, Screw)



→ 4128

产品标准 Standard: UL 4128
 额定电压 Rated Voltage: 1500V
 额定电流 Ratedcurrent: 250A MAX
 防护等级 IP Rating: IP67
 密封件材料 Seal: 硅橡胶 Silicone rubber
 外壳体材料 Housing: 塑料 Plastic
 接触件材料 Contacts: 铜合金, 镀银 Brass, Silver
 接线规格 Cross-section: 35mm²~70mm²(4-2/0AWG)
 插座法兰安装螺钉 Tighting screws for flange: M4



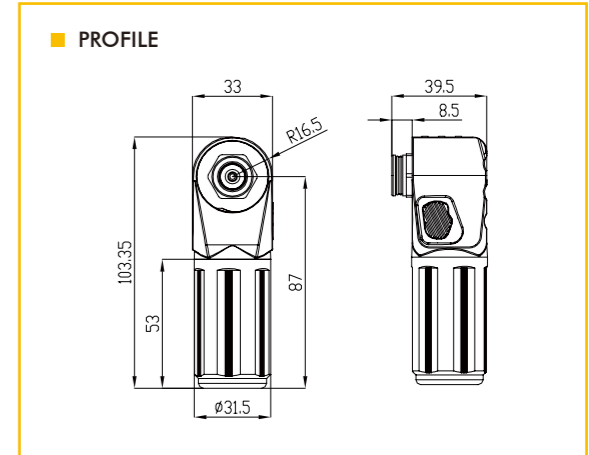
Product Model	Order No.	Color
PW08RR7RS01	1010020000031	Red
PW08RB7RS01	1010020000032	Black
PW08RO7RS01	1010020000033	Orange

350A大电流插头(六边形接口)
350A large current plug (Hexagonal interface)



→ 4128

产品标准 Standard: UL 4128
 额定电压 Rated Voltage: 1500V
 额定电流 Ratedcurrent: 350A MAX
 防护等级 IP Rating: IP67
 密封件材料 Seal: 硅橡胶 Silicone rubber
 外壳体材料 Housing: 塑料 Plastic
 接触件材料 Contacts: 铜合金, 镀银 Brass, Silver
 接线方式 Contacts termination: 压接 Crimp
 接线规格 Cross-section: 95mm²~120mm²(3/0-4/0AWG)
 线缆外径 Cable diameter: 17mm~22mm

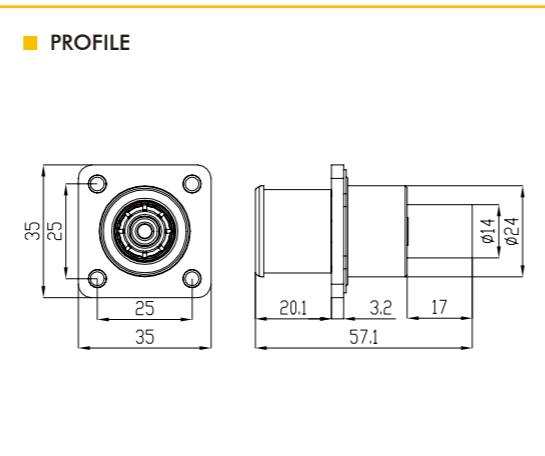


Product Model	Order No.	Color
PW10HR7PC01	1010010000013	Red
PW10HB7PC01	1010010000014	Black
PW10HO7PC01	1010010000015	Orange

250A大电流插座(圆形接口, 压接)
250A high current Receptacle (Round interface, Crimp)

→ 4128

产品标准 Standard: UL 4128
 额定电压 Rated Voltage: 1500V
 额定电流 Ratedcurrent: 250A MAX
 防护等级 IP Rating: IP67
 密封件材料 Seal: 硅橡胶 Silicone rubber
 外壳体材料 Housing: 塑料 Plastic
 接触件材料 Contacts: 铜合金, 镀银 Brass, Silver
 接线规格 Cross-section: 35mm²~70mm²(4-2/0AWG)
 插座法兰安装螺钉 Tighting screws for flange: M4

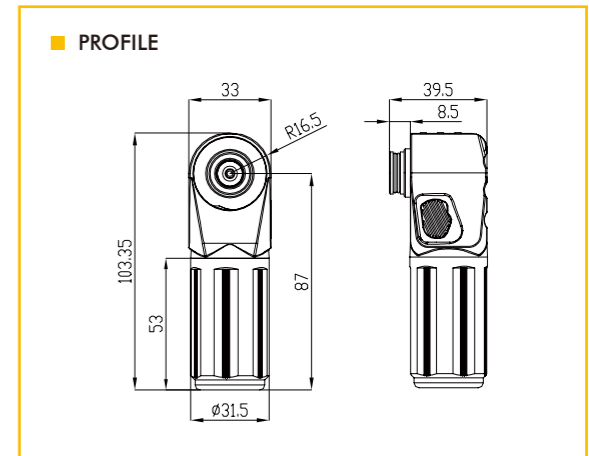


Product Model	Order No.	Color
PW08RR7RC01	1010020000034	Red
PW08RB7RC01	1010020000035	Black
PW08RO7RC01	1010020000036	Orange

350A大电流插头(圆形接口)
350A high current plug (Round interface)

→ 4128

产品标准 Standard: UL 4128
 额定电压 Rated Voltage: 1500V
 额定电流 Ratedcurrent: 350A MAX
 防护等级 IP Rating: IP67
 密封件材料 Seal: 硅橡胶 Silicone rubber
 外壳体材料 Housing: 塑料 Plastic
 接触件材料 Contacts: 铜合金, 镀银 Brass, Silver
 接线方式 Contacts termination: 压接 Crimp
 接线规格 Cross-section: 95mm²~120mm²(3/0-4/0AWG)
 线缆外径 Cable diameter: 17mm~22mm



Product Model	Order No.	Color
PW10RR7PC01	1010010000016	Red
PW10RB7PC01	1010010000017	Black
PW10RO7PC01	1010010000018	Orange



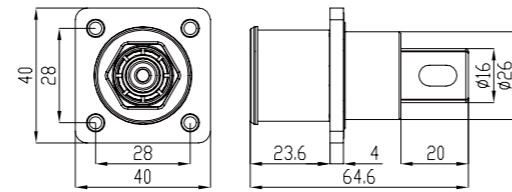
350A大电流插座(六边形接口, U型孔)
350A large current Receptacle (Hexagonal interface, Copper busbars)



→ 4128

产品标准 Standard: UL 4128
 额定电压 Rated Voltage: 1500V
 额定电流 Rated current: 350A MAX
 防护等级 IP Rating: IP67
 密封件材料 Seal: 硅橡胶 Silicone rubber
 外壳体材料 Housing: 塑料 Plastic
 接触件材料 Contacts: 铜合金, 镀银 Brass, Silver
 接线规格 Cross-section: 95mm²~120mm² (3/0-4/0AWG)
 插座法兰安装螺钉 Tightening screws for flange: M4

■ PROFILE



Product Model	Order No.	Color
PW10HR7RB01	1010020000037	Red
PW10HB7RB01	1010020000038	Black
PW10HO7RB01	1010020000039	Orange

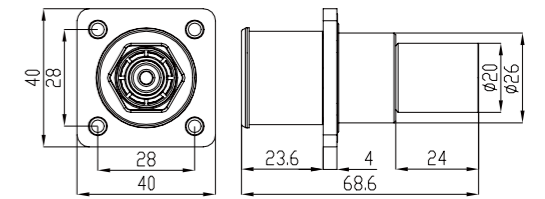
350A大电流插座(六边形接口, 压接孔)
350A large current Receptacle (Hexagonal interface, Crimp)



→ 4128

产品标准 Standard: UL 4128
 额定电压 Rated Voltage: 1500V
 额定电流 Rated current: 350A MAX
 防护等级 IP Rating: IP67
 密封件材料 Seal: 硅橡胶 Silicone rubber
 外壳体材料 Housing: 塑料 Plastic
 接触件材料 Contacts: 铜合金, 镀银 Brass, Silver
 接线规格 Cross-section: 95mm²~120mm² (3/0-4/0AWG)
 插座法兰安装螺钉 Tightening screws for flange: M4

■ PROFILE



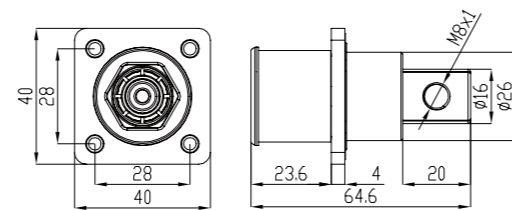
Product Model	Order No.	Color
PW10HR7RC01	1010020000043	Red
PW10HB7RC01	1010020000044	Black
PW10HO7RC01	1010020000045	Orange

350A大电流插座(六边形接口, 螺纹孔)
350A large current Receptacle (Hexagonal interface, Screw)

→ 4128

产品标准 Standard: UL 4128
 额定电压 Rated Voltage: 1500V
 额定电流 Rated current: 350A MAX
 防护等级 IP Rating: IP67
 密封件材料 Seal: 硅橡胶 Silicone rubber
 外壳体材料 Housing: 塑料 Plastic
 接触件材料 Contacts: 铜合金, 镀银 Brass, Silver
 接线规格 Cross-section: 95mm²~120mm² (3/0-4/0AWG)
 插座法兰安装螺钉 Tightening screws for flange: M4

■ PROFILE



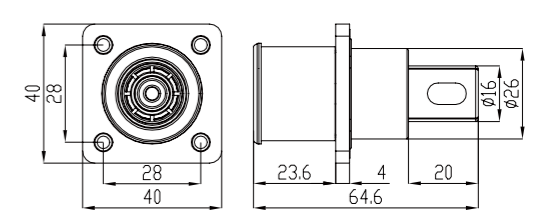
Product Model	Order No.	Color
PW10HR7RS01	1010020000040	Red
PW10HB7RS01	1010020000041	Black
PW10HO7RS01	1010020000042	Orange

350A大电流插座(圆形接口, U型孔)
350A high current Receptacle (Round interface, Copper busbars)

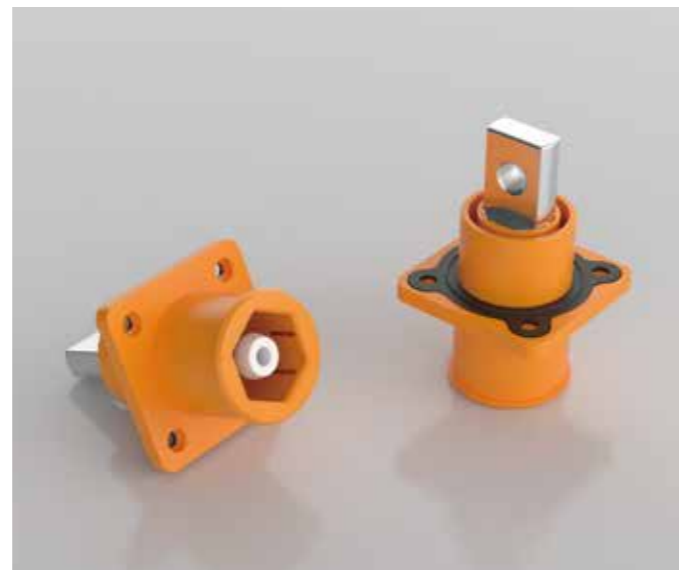
→ 4128

产品标准 Standard: UL 4128
 额定电压 Rated Voltage: 1500V
 额定电流 Rated current: 350A MAX
 防护等级 IP Rating: IP67
 密封件材料 Seal: 硅橡胶 Silicone rubber
 外壳体材料 Housing: 塑料 Plastic
 接触件材料 Contacts: 铜合金, 镀银 Brass, Silver
 接线规格 Cross-section: 95mm²~120mm² (3/0-4/0AWG)
 插座法兰安装螺钉 Tightening screws for flange: M4

■ PROFILE



Product Model	Order No.	Color
PW10RR7RB01	1010020000046	Red
PW10RB7RB01	1010020000047	Black
PW10RO7RB01	1010020000048	Orange



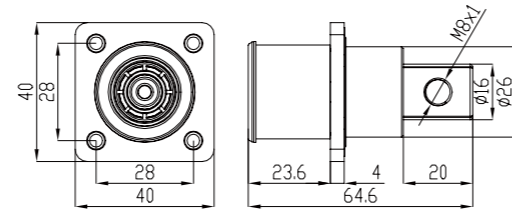
350A大电流插座(圆形接口, 螺纹孔)
350A high current Receptacle (Round interface, Screw)



→ 4128

产品标准 Standard: UL 4128
 额定电压 Rated Voltage: 1500V
 额定电流 Rated current: 350A MAX
 防护等级 IP Rating: IP67
 密封件材料 Seal: 硅橡胶 Silicone rubber
 外壳体材料 Housing: 塑料 Plastic
 接触件材料 Contacts: 铜合金, 镀银 Brass, Silver
 接线规格 Cross-section: 95mm²~120mm² (3/0-4/0AWG)
 插座法兰安装螺钉 Tightening screws for flange: M4

■ PROFILE



Product Model	Order No.	Color
PW10RR7RS01	1010020000049	Red
PW10RB7RS01	1010020000050	Black
PW10RO7RS01	1010020000051	Orange

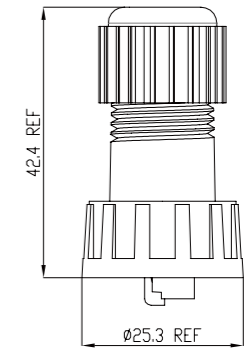
RJ45插头
RJ45 Plug



→ RJ45

接线标准 Standard: TIA/EIA-568-B
 类型 Type: 活动端 Free
 额定电压 Rate Voltage: 150V AC
 额定电流 Rate current: 1.5A
 接触电阻 Contact resistance: 30mΩ
 绝缘电阻 Insulation resistance: 500MΩ
 耐压 Dielectric Withstanding Voltage: 1000V AC
 工作温度 Temperature Range: -25 C ~ +55 C
 耐久性 Durability: 750 times
 环保 Pro-environment: ROHS
 防护等级 IP Rating: IP67
 外壳体材料 Nut: 塑料 PA66
 接触件材料 Contacts: 铜合金 Brass
 接线尺寸 Wire size: 23AWG~24AWG

■ PROFILE



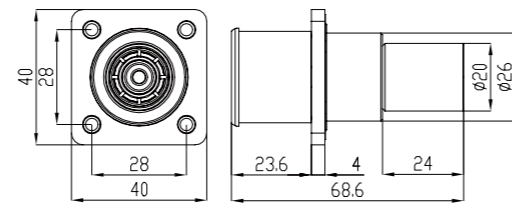
Product Model	Order No.
BEST-EFT201100	5100200000001

350A大电流插座(圆形接口, 压接)
350A high current Receptacle (Round interface, Crimp)

→ 4128

产品标准 Standard: UL 4128
 额定电压 Rated Voltage: 1500V
 额定电流 Rated current: 350A MAX
 防护等级 IP Rating: IP67
 密封件材料 Seal: 硅橡胶 Silicone rubber
 外壳体材料 Housing: 塑料 Plastic
 接触件材料 Contacts: 铜合金, 镀银 Brass, Silver
 接线规格 Cross-section: 95mm²~120mm² (3/0-4/0AWG)
 插座法兰安装螺钉 Tightening screws for flange: M4

■ PROFILE



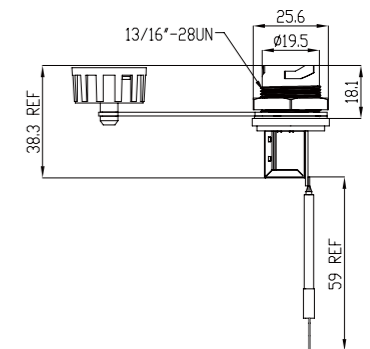
Product Model	Order No.	Color
PW10RR7RC01	1010020000052	Red
PW10RB7RC01	1010020000053	Black
PW10RO7RC01	1010020000054	Orange

RJ45插座
RJ45 Receptacle

→ RJ45

接线标准 Standard: TIA/EIA-568-B
 类型 Type: 固定端 Fixed
 额定电压 Rate Voltage: 150V AC
 额定电流 Rate current: 1.5A
 接触电阻 Contact resistance: 30mΩ
 绝缘电阻 Insulation resistance: 500MΩ
 耐压 Dielectric Withstanding Voltage: 1000V AC
 工作温度 Temperature Range: -40 C ~ +85 C
 耐久性 Durability: 750 times
 环保 Pro-environment: ROHS
 防护等级 IP Rating: IP67
 外壳体材料 Nut: 塑料 PA66
 接触件材料 Contacts: 铜合金 Brass

■ PROFILE



Product Model	Order No.
BEST-EFZ220301	5100100000002



RJ45带线插座

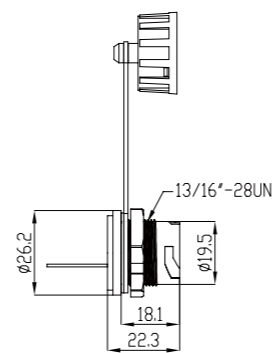
RJ45 Receptacle with wire



→ RJ45

接线标准 Standard:	TIA/EIA-568-B
类型 Type:	固定端 Fixed
额定电压 Rate Voltage:	150V AC
额定电流 Rate current:	1.5A
接触电阻 Contact resistance:	30mΩ
绝缘电阻 Insulation resistance:	500MΩ
耐电压 Dielectric Withstanding Voltage:	1000V AC
工作温度 Temperature Range:	-40℃~+85℃
耐久性 Durability:	750 times
环保 Pro-environment:	ROHS
防护等级 IP Rating:	IP67
外壳体材料 Nut:	塑料 PA66
接触件材料 Contacts:	铜合金 Brass

■ PROFILE



Product Model	Order No.
---------------	-----------

BEST-EFZ201100	5100100000001
----------------	---------------

储能端子

Energy storage terminals

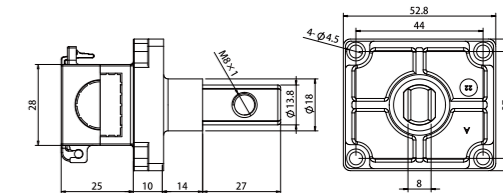


→ SE

额定电压 Rated Voltage:	1500V
阻燃 Flame Rating:	UL94 V-0
外壳体材料 Shell:	塑料 Plastic
防护等级 IP Rating:	IP67
接触件材料 Contacts:	铜合金镀银 Brass with silver plated
接线方式 Contacts termination:	接铜牌 Busbar

Product Model	Order No.	Ratedcurrent	Color
SEO25001	1010030000001	250A	Orange
SEB25001	1010030000002	250A	Black

■ PROFILE



储能端子

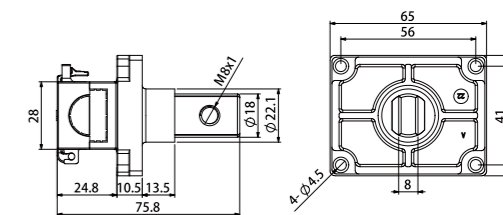
Energy storage terminals

→ SE

额定电压 Rated Voltage:	1500V
阻燃 Flame Rating:	UL94 V-0
外壳体材料 Shell:	塑料 Plastic
防护等级 IP Rating:	IP67
接触件材料 Contacts:	铜合金镀银 Brass with silver plated
接线方式 Contacts termination:	接铜牌 Busbar

Product Model	Order No.	Ratedcurrent	Color
SEO35001	1010030000003	350A	Orange
SEB35001	1010030000004	350A	Black

■ PROFILE





应用领域 Application Fields

- 军工防务、航空航天等领域 Military defense, Aerospace and other fields
- 数据中心、超级计算机 Data center, Supercomputer
- 轨道交通、新能源汽车 Rail transit, New energy vehicles
- 工业、储能 Industry, Energy storage

流体 Fluid

- 冷却液 Coolant
- 水-乙二醇 Water-ethylene glycol
- 导热油 Heat conducting oil
- 酯类 Ester
- 煤油 kerosene
-



安全 Safety

- 双向密封，接通/断开无泄漏。
- 设备需要过压保护时，可选自卸压的系列，避免断开后设备压力过高。
- 工作时，平头的设计既方便清洁又防止污染物进入。
- 插头插座均配有保护套，在运输过程中防止污染物进入。
- Two-way sealing, Switch on/off without leakage .
- Please select pressure release version to avoid high pressure of the equipment after disconnection.
- Push, flat face design is easy to clean and prevents contaminants from entering .
- Protective covers are provided to prevent contaminants from entering during transportation.

稳定 Stable

- 卡口锁紧结构使连接稳定可靠，适合极端振动环境。
- 独特的设计，紧凑的结构，最小的体积确保最大流量，实现最小的压降。
- The bayonet locking structure makes the connection extremely strong, suitable for extreme vibration environment.
- Unique design, precise structure, minimal size to ensure large flow and low pressure drop.

可靠 Reliability

- 产品适用温度范围根据不同O型圈可覆盖-40℃~+200℃，更大范围温度请咨询我司。
- 精选的材质配合独特的表面处理使产品坚固可靠的同时，实现高耐腐蚀性、高耐磨性。
- 有多种密封材质可选，可兼容各种流体。
- The Applicable temperature range of the product can over -40 C to 200 C according to different O-rings. For wide range of temperature, please consult our company.
- The selected material and unique surface treatment contribute strong and reliable connection, increasing performance of the corrosion resistance.
- Various sealing materials are available to all kinds of fluids .

便捷 Convenient

- 推入即刻锁紧，操作轻松方便。
- Just push to make a secure connection.

丰富 Wide range

- 根据流量大小8种口径任意选择。
- 尾部接口形式多样满足您各种需求。
- 四种颜色可选，快速辨别不同温度回路。
- 口径、接口、颜色均可以根据客户需求定制（各批次间颜色会存在一定差异）。
- There are 8 sizes for you to choose upon to the flow rate.
- Various forms of termination can meet your needs.
- Four colors to identify different temperature loops.
- Diameter, interface and color can be customized according to customer requirements (There are some color differences between batches).

→ BT-8

插头货号 Plug Item No.	插头接口图 Plug interface contour drawing	插头插座连接图 Plug and socket connection diagram	插座接口图 Socket interface contour drawing	插座货号 Socket Item No.
BT-8PALER2M14				BT-8SALER2M16
BT-8PALER2M16				BT-8SALER2M22
BT-8PALER2M18				BT-8SALER2J916
BT-8PALER2M22				BT-8SALER2J34
BT-8PALER2J916				BT-8SALER42222
BT-8PALER2J34				BT-8SALER42323
BT-8PALER39.5				BT-8SALER6J916
BT-8PALER52M22				BT-8SALER6J34
BT-8PALER539.5				

插头货号 Plug Item No.	插头接口编号 Plug interface number	总长L1 Total length L1 (mm)	接口长度L3 Interface length L3 (mm)	最大直径φD1 Maximum diameter φD1 (mm)	接口形式 Interface form
BT-8PALER2M14	2M14	63.6	14	27.3	M14x1外螺纹
BT-8PALER2M16	2M16	57.7	16	27.3	M16x1外螺纹
BT-8PALER2M18	2M18	58.7	17	27.3	M18x1.5外螺纹
BT-8PALER2M22	2M22	63.7	22	33.5	M22x1.5外螺纹
BT-8PALER2J916	2J916	63.7	14.1	27.3	JIC 9/16-18外螺纹
BT-8PALER2J34	2J34	58.4	16.7	27.3	JIC 3/4-16外螺纹
BT-8PALER39.5	39.5	71.5	21.5	33.5	接9.5mm内径软管卡箍
BT-8PALER52M22	52M22	67	18	27.3	90°弯角+M22x1.5外螺纹
BT-8PALER539.5	539.5	67	24	27.3	90°弯角+接9.5mm内径软管卡箍

插座货号 Socket Item No.	插座接口编号 Socket interface number	总长L2 Total length L2 (mm)	接口长度L4 Interface length L4 (mm)	最大直径φD2 Maximum diameter φD2 (mm)	接口形式 Interface form
BT-8SALER2M16	2M16	52	15	27.65	M16x1外螺纹
BT-8SALER2M22	2M22	55	18	27.65	M22x1外螺纹
BT-8SALER2J916	2J916	50	14	27.65	JIC 9/16-18外螺纹
BT-8SALER2J34	2J34	52.5	16.5	27.65	JIC 3/4-16外螺纹
BT-8SALER42222	42222	41.2	-	27.6	法兰式, 螺纹孔位22x22
BT-8SALER42323	42323	41.2	-	27.65	法兰式, 螺纹孔位23x23
BT-8SALER6J916	6J916	70.8+板厚	14	27.65	JIC 9/16-18外螺纹穿板式
BT-8SALER6J34	6J34	73.3+板厚	16.5	27.65	JIC 3/4-16外螺纹穿板式

温馨提示 Warm Tips

- 以上插头插座可任意组合成套, 组合成套货号如: BT-8PALER2J34+BT-8SALER42222.
- 根据接口形式选择对应货号.
- 因结构、接口、流体介质不同, 流量系数存在差异, 流量系数仅供参考.
- 如需详细尺寸数据, 可联系我司技术人员获取.
- 如无合适接口, 可联系我司根据客户特殊定制.

以上数据仅供参考, 具体参数以产品规格书为准。The above parameters are for reference only, the specific parameters shall be subject to the product specifications. 其它规格型号需求, 请与我们联系。For other specifications and models, please contact us.

PP 推拉式流体连接器
PUSH-PULL Type Fluid Connector

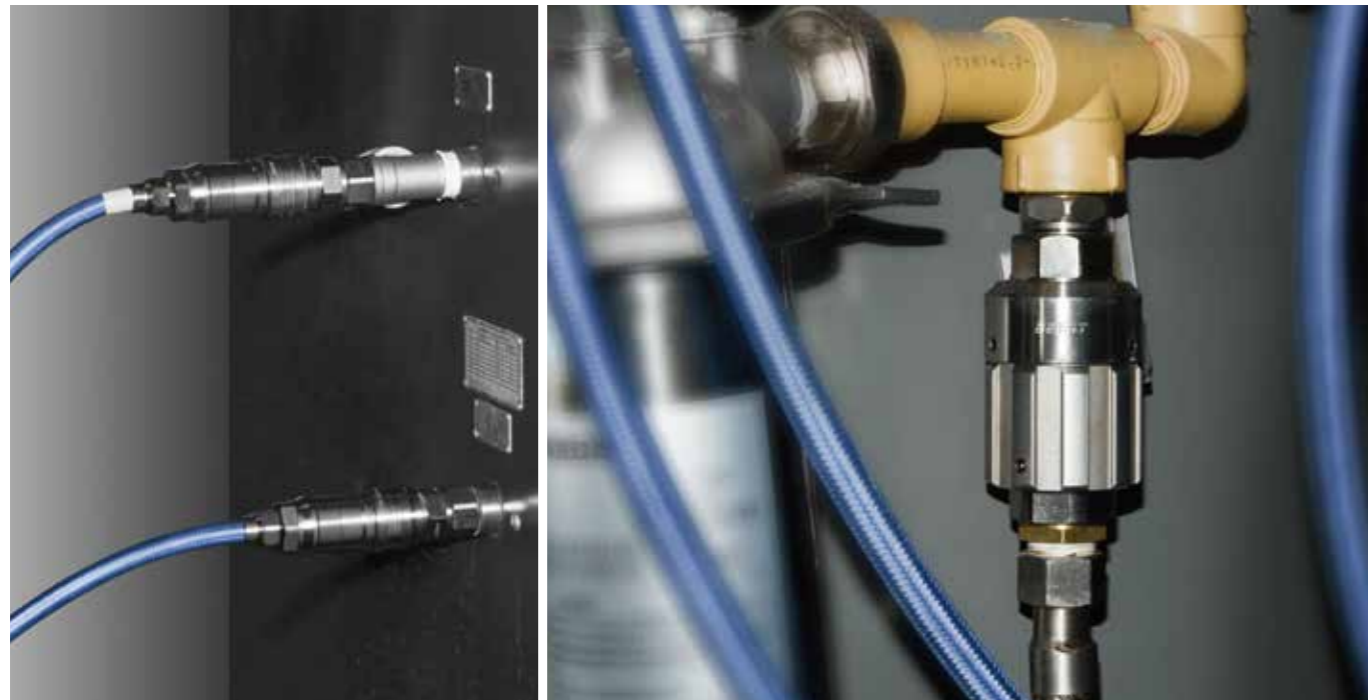


应用领域 Application Fields

- 航空航天、军工防务等领域 Aerospace, military defense and other fields
- 医疗设备 Medical equipment
- 数据中心、超级计算机 Data center, Supercomputer
- 核能、风电、光伏(储能、变流器)等新能源领域 Nuclear energy, wind power, photovoltaic(energy storage, converters) and other new energy fields
- 轨道交通、新能源汽车 Rail transit, New energy vehicles
- 工业、储能 Industry, Energy storage

流体 Fluid

- 冷却液 Coolant
- 去离子水 Deionized water
- 水-乙二醇 Water-ethylene glycol
- 导热油 Heat conducting oil
- 酯类 Ester
- 煤油 Kerosene
- PAO
-



安全 Safety

- 双向密封，接通/断开无泄漏。
- 设备需要过压保护时，可选自卸压的系列，避免断开后设备压力过高。
- 工作时，平头的设计既方便清洁又防止污染物进入。
- 插头插座均配有保护套，在运输过程中防止污染物进入。
- Two-way sealing, Switch on/off without leakage.
- Please select pressure release version to avoid high pressure of the equipment after disconnection.
- Flush, flat face design is easy to clean and prevents contaminants from entering.
- Protective covers are provided to prevent contaminants from entering during transportation.

稳定 Stable

- 钢珠锁紧结构使连接稳定可靠，适合冲击、振动环境。
- 独特的设计，紧凑的结构，最小的体积确保最大流量，实现最小的压降。
- 内部导向的结构设计插合时使连接器具有很高的机械强度，适用于更大的机械应力环境。
- The steel ball locking structure makes the connection extremely strong, suitable for impact and vibration environment.
- Unique design, precise structure, minimal size to ensure large flow and low pressure drop.
- when coupled the internal guide design enables the connector to have high mechanical strength, which is suitable for the situation of high mechanical stress.

可靠 Reliability

- 产品适用温度范围根据不同O型圈可覆盖-40℃~+200℃，更大范围温度请咨询我司。
- 有多种密封材质可选，可兼容各种流体。
- 产品适用温度范围根据不同O型圈可覆盖-40℃~+200℃，更大范围温度请咨询我司。
- The Applicable temperature range of the product can over -40 C to 200 C according to different O-rings. For wide range of temperature, please consult our company.
- Various sealing materials are available to all kinds of fluids.
- The Applicable temperature range of the product can over -40 C to 200 C according to different O-rings. For wide range of temperature, please consult our company.

便捷 Convenient

- 自动锁紧功能，操作轻松方便。
- 在视线不明处，实现无差别插合（盲插）。
- 凸肩和滚花的长锁紧环方便抓握，使接通/断开轻松快捷。
- Easy to operate.
- Mate easily in out-of-sight environment.
- Long lock ring with shoulder and knurled for easy grip, making connection/disconnection easier and faster.

丰富 Wide range

- 根据流量大小8种口径任您选择。
- 尾部接口形式多样满足您各种需求。
- 四种颜色可选，快速辨别不同温度回路。
- 口径、接口、颜色均可以根据客户需求定制（各批次间颜色会存在一定差异）。
- There are 8 sizes for you to choose upon to the flow rate.
- Various forms of termination can meet your needs.
- Four colors to identify different temperature loops.
- Diameter, interface and color can be customized according to customer requirements (There are some color differences between batches).

→ PP-12

插头货号 Plug Item No.	插头接口图 Plug interface contour drawing	插头插座连接图 Plug and socket connection diagram	插座接口图 Socket interface contour drawing	插座货号 Socket Item No.
PP-12PALER1G34				PP-12SALER1G34
PP-12PALER1G12			PP-12SALER1G12	
PP-12PALER2G34			PP-12SALER2G34	
PP-12PALER2G12			PP-12SALER2G12	
PP-12PALER2J1116			PP-12SALER2M26	
PP-12PALER2J1116			PP-12SALER2J1116	
PP-12PALER319			PP-12SALER319	
PP-12PALER6J1116			PP-12SALER5319	
			PP-12SALER52M22	
			PP-12SALER52G34	
		PP-12SALER6J1116		

插头货号 Plug Item No.	插头接口编号 Plug interface number	总长L1 Total length L1 (mm)	接口长度L3 Interface length L3 (mm)	最大直径φD1 Maximum diameter φD1 (mm)	接口形式 Interface form
PP-12PALER1G34	1G34	78.8	14	34	G3/4内螺纹
PP-12PALER1G12	1G12	78.8	14	34	G1/2内螺纹
PP-12PALER2G34	2G34	78.8	13	34	G3/4外螺纹
PP-12PALER2G12	2G12	78.8	13	34	G1/2外螺纹
PP-12PALER2J1116	2J1116	87.7	21.9	34	JIC 1 1/16-12外螺纹
PP-12PALER319	319	88.8	23	34	接19mm内径软管卡箍
PP-12PALER6J1116	6J1116	104+板厚 (1~5.5)	21.9	34	JIC 1 1/16-12外螺纹穿板式

插座货号 Socket Item No.	插座接口编号 Socket interface number	总长L2 Total length L2 (mm)	接口长度L4 Interface length L4 (mm)	最大直径φD2 Maximum diameter φD2 (mm)	接口形式 Interface form
PP-12SALER1G34	1G34	94.6	14	41.6	G3/4内螺纹
PP-12SALER1G12	1G12	94.6	14	41.6	G1/2内螺纹
PP-12SALER2G34	2G34	95.1	14.5	41.6	G3/4外螺纹
PP-12SALER2G12	2G12	94.6	14	41.6	G1/2外螺纹
PP-12SALER2M26	2M26	96.6	16	41.6	M26x1.5外螺纹
PP-12SALER2J1116	2J1116	102.5	21.9	41.6	JIC 1 1/16-12外螺纹
PP-12SALER319	319	117.5	33	41.6	接19mm内径软管卡箍
PP-12SALER5319	5319	114	31	41.6	90°弯角+接19mm内径软管卡箍
PP-12SALER5319	5319	115.3	23	41.6	90°弯角+接19mm内径软管卡箍
PP-12SALER52M22	5M22	94.6	12	41.6	90°弯角+M22x1.5外螺纹
PP-12SALER52G34	52G34	115.3	14.5	41.6	90°弯角+G3/4外螺纹
PP-12SALER6J1116	6J1116	121.7+板厚 (1~5.5)	21.9	41.6	JIC 1 1/16-12外螺纹穿板式

温馨提示 Warm Tips

1. 以上插头插座可任意组合成套，组合成套货号如：PP-12PALER2G12+PP-12SALER5M22。
2. 根据接口形式选择对应货号。
3. 因结构、接口、流体介质不同，流量系数存在差异，流量系数仅供参考。
4. 如需详细尺寸数据，可联系我司技术人员获取。
5. 如无合适接口，可联系我司根据客户特殊定制。

1. The above plugs and sockets can be combined in any way, and the combined article number can be combined in two terms, such as PP-12PALER2G12+PP-12SALER5M22.
2. Select the corresponding article number according to the form of interface.
3. Due to different structure, interface and fluid medium, the flow coefficient is different. Flow coefficient is for reference only.
4. For detailed size data, please contact our technical staff to obtain.
5. If there is no appropriate interface, you can contact our company according to the customer's special customization.

以上数据仅供参考，具体参数以产品规格书为准。The above parameters are for reference only, the specific parameters shall be subject to the product specifications. 其它规格型号需求，请与我们联系。For other specifications and models, please contact us.

